

AI-POWERED GROW SYSTEM

COMPLETE INDOOR PLANT KIT

AC INFINITY

PROUD TO PRESENT TO YOU THE AI-POWERED GROW SYSTEM

Thank you for choosing AC Infinity. As growers, we've dreamt of applying commercial levels of automation technology to our systems, scaled down for home growing, without the commercial level price tag. Now we've made it possible.

This complete indoor growing system is the culmination of four years of development, implementing smart controls into all the technology a grow space uses to create a fully automated system. Each grow tent kit contains equipment that is collectively rated to grow your desired number of plants and can be controlled using its grow tent controller or the AC Infinity app.

We are committed to product quality and friendly customer service, so please [contact](#) us if you have any questions or suggestions. Don't forget to share your growing journey with this complete indoor growing system on social media [@acinfinityinc!](#)

EMAIL

support@acinfinity.com

WEB

www.acinfinity.com

LOCATION

Los Angeles, CA

MANUAL CODE PK2410X1

PRODUCT	MODEL	UPC
AI-Powered Grow System COMPACT (2x2)	AC-PKA22	819137022829
AI-Powered Grow System (2x2)	AC-PKB22	819137022836
AI-Powered Grow System (2x4)	AC-PKB24	819137022843
AI-Powered Grow System (3x3)	AC-PKB33	819137022850
AI-Powered Grow System (4x4)	AC-PKB44	819137022867
AI-Powered Grow System PRO (4x4)	AC-PKC44	819137024335
AI-Powered Grow System PRO (5x5)	AC-PKB55	819137024038
AC INFINITY x ATHENA*, AI-Powered Grow System (2x4)	AC-PKN24	819137024366

*Athena is a registered trademark of Athena Ag, Inc.

MANUAL INDEX

- Manual Index Page 5**
- Product Warning Page 7**
- Product Contents Page 8**
- Quick Build Guide Page 10**

- CLOUDLAB: Advance Grow Tent Page 12**
 - Product Contents Page 13
 - Tent Setup Page 15
 - Controller Plate Setup Page 20
 - Mounting Guide Page 22
 - Ventilation Guide Page 23
 - Configuration Setup Page 24

- CLOUDLINE: Mixed Flow Inline Fan System Page 26**
 - Product Contents Page 27
 - Mounting Page 28
 - Overhead Hanging Page 33
 - Motor Cap Page 36
 - Configuration Setup Page 37
 - Cleaning Page 38

- Duct Carbon Filter: Premium Australian Charcoal Page 40**
 - Product Contents Page 41
 - Installation Page 42
 - Overhead Hanging Page 43
 - Configuration Setup Page 47
 - Maintenance Page 50
 - Replacing the Carbon: PRO Models Only Page 51
 - Carbon Refill Guide: PRO Models Only Page 53

- IONBOARD / IONFRAME EVO: Grow Light System Page 54**
 - Product Contents Page 55
 - Installation: IONBOARD Page 57
 - Driver Mounting: IONFRAME EVO Only Page 59
 - Overhead Hanging: IONFRAME EVO Page 62
 - Powering and Setup Page 63
 - Starter Guide Page 65
 - Programming Page 66

MANUAL INDEX

CLOUDRAY: Oscillation Fan System	Page 68
Product Contents	Page 69
Installation	Page 70
Powering and Setup	Page 72
Cleaning	Page 73
Programming	Page 75
CONTROLLER AI+: UIS™ Controller	Page 78
Product Contents	Page 79
Powering and Setup	Page 80
Mounting	Page 82
UIS™ Platform	Page 84
UIS™ Compatibility	Page 85
Adding More Devices	Page 86
Programming	Page 88
Download the App	Page 89
Add a Device	Page 90
Frequently Asked Questions	Page 97
Warranty	Page 99

PRODUCT WARNING

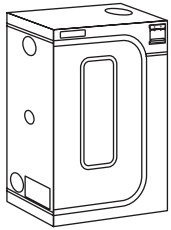


TO REDUCE THE RISK OF FIRE, ELECTRIC SHOCK, OR INJURY TO PERSONS, OBSERVE THE FOLLOWING:

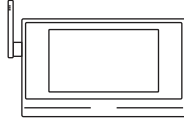
1. Read all instructions before installing and using this product.
2. Ensure your power source conforms to the electrical requirements of this product.
3. Check your local code restrictions for additional safety measures that may be needed for a proper code compliant installation.
4. This product is not intended for users who lack experience with and knowledge of this product, children, or those with reduced physical, sensory, or mental capabilities, unless under supervision by a qualified individual responsible for their safety.
5. If you are unfamiliar or have doubts about performing this product's installation, seek the services of a qualified, trained, and licensed professional. Inappropriate installation will void this product's warranty.
6. Do not attempt to hardwire this product. Performing any retrofitting actions may result in personal injury and/or electrical damage, and will void this product's warranty.
7. This product must not be used in potentially hazardous locations such as flammable, explosive, chemical-laden, or wet atmospheres.
8. Ducted products must always be vented to outdoor areas.
9. Do not cover power cords with rugs or other fabric materials.
10. This product has rotating parts. Safety precautions should be exercised during the installation, operation, and maintenance of this product.
11. Do not insert or allow fingers or foreign objects to enter any ventilation or exhaust openings as it may cause electric shock, fire, or damage to this product. Do not block or tamper with this product in any manner while it is in operation.
12. Do not depend on the on/off programming as the sole means of shutting power from this product. Unplug the power cord before installing, servicing, or moving this product.
13. Do not operate this product while it is damaged, or if it malfunctions, has been dropped, or its cord is damaged in any manner.

PRODUCT CONTENTS

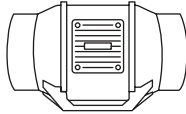
OVERVIEW



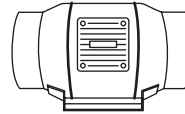
CLOUDLAB
Advance Grow Tent
BOX A



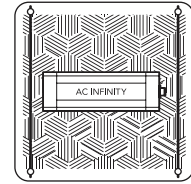
CONTROLLER AI+
UIS Controller
BOX B



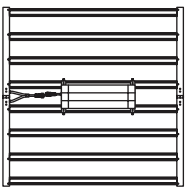
CLOUDLINE
Inline Fan
BOX C
(NOT included in PRO models)



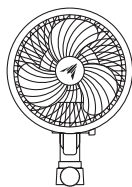
CLOUDLINE PRO
Inline Fan
BOX C
(PRO models ONLY)



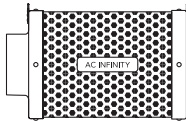
IONBOARD
LED Grow Light
BOX D
(NOT included in PRO models)



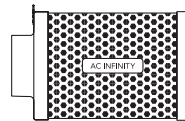
IONFRAME EVO+
LED Grow Light
BOX D
(PRO models ONLY)



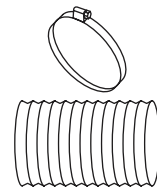
CLOUDRAY
Clip Fan
BOX E



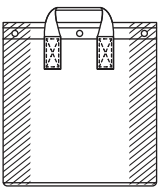
INLINE
CARBON FILTER
BOX F
(NOT included in PRO models)



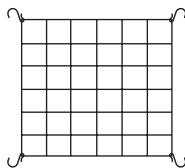
REFILLABLE
CARBON FILTER
BOX F
(PRO models ONLY)



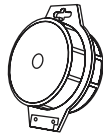
DUCTING
AND CLAMPS
BOX G



FABRIC POTS,
5 gal.
BOX H



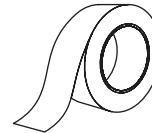
ELASTIC
TRELLIS NETTING
BOX I



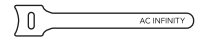
GARDEN PLANT
TWIST TIES
BOX I



STAINLESS STEEL
PRUNING SNIPS
BOX I

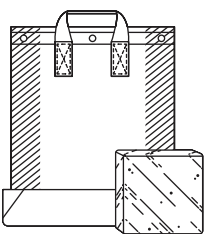


ALUMINUM
DUCTING TAPE
BOX I

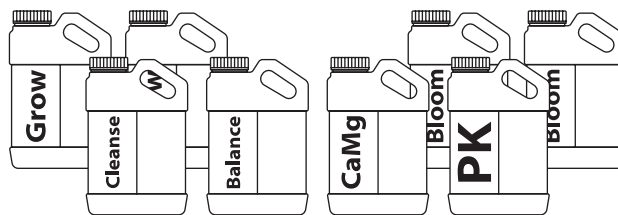


HOOK AND LOOP
CABLE TIES
BOX I

AC INFINITY x ATHENA[†], AI-Powered Grow System



INSTANT POTTING
MIX KIT, 5 gal.
BOX H
(Athena models ONLY)



ATHENA
NUTRIENTS

*IONFRAME EVO8 shown

[†]Athena is a registered trademark of Athena Ag, Inc.

PRODUCT CONTENTS

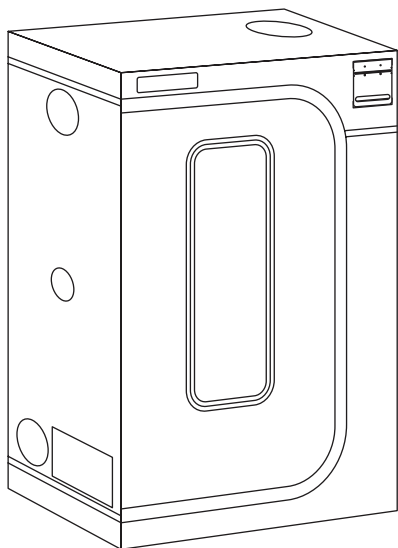
DETAILS

	AI-Powered Grow System COMPACT (2x2) AC-PKA22	AI-Powered Grow System (2x2) AC-PKB22	AI-Powered Grow System (2x4) AC-PKB24	AC INFINITY x ATHENA*, AI-Powered Grow System (2x4) AC-PKN24	AI-Powered Grow System (3x3) AC-PKB33	AI-Powered Grow System (4x4) AC-PKB44	AI-Powered Grow System PRO (4x4) AC-PKC44	AI-Powered Grow System PRO (5x5) AC-PKB55
BOX A GROW TENT	CLOUDLAB 422, 24" x 24" x 48" x1	CLOUDLAB 722, 24" x 24" x 72" x1	CLOUDLAB 642, 24" x 48" x 72" x1	CLOUDLAB 642, 24" x 48" x 72" x1	CLOUDLAB 733, 36" x 36" x 72" x1	CLOUDLAB 844, 48" x 48" x 80" x1	CLOUDLAB 844, 48" x 48" x 80" x1	CLOUDLAB 866, 60" x 60" x 80" x1
BOX B GROW TENT CONTROLLER	CONTROLLER AI+, 8 Ports x1	CONTROLLER AI+, 8 Ports x1	CONTROLLER AI+, 8 Ports x1	CONTROLLER AI+, 8 Ports x1	CONTROLLER AI+, 8 Ports x1	CONTROLLER AI+, 8 Ports x1	CONTROLLER AI+, 8 Ports x1	CONTROLLER AI+, 8 Ports x1
BOX C INLINE FAN	CLOUDLINE A4 Inline Fan 4 in. x1	CLOUDLINE A4 Inline Fan 4 in. x1	CLOUDLINE A6 Inline Fan 6 in. x1	CLOUDLINE T6 Inline Fan 6 in. x1	CLOUDLINE A6 Inline Fan 6 in. x1	CLOUDLINE A6 Inline Fan 6 in. x1	CLOUDLINE T6 Inline Fan 6 in. x1	CLOUDLINE T6 Inline Fan 6 in. x1
BOXES C & F HANGING STRAPS	Nylon Hanging Straps x2 per box	Nylon Hanging Straps x2 per box	Nylon Hanging Straps x2 per box	Nylon Hanging Straps x2 per box	Nylon Hanging Straps x2 per box	Nylon Hanging Straps x2 per box	Nylon Hanging Straps x2 per box	Nylon Hanging Straps x2 per box
BOX D LED GROW LIGHT	IONBOARD S22, 2x2 Coverage x1	IONBOARD S22, 2x2 Coverage x1	IONBOARD S24, 2x4 Coverage x1	IONFRAME EVO3, 2x4 Coverage x1	IONBOARD S33, 3x3 Coverage x1	IONBOARD S44, 4x4 Coverage x1	IONFRAME EVO6, 4x4 Coverage x1	IONFRAME EVO8, 5x5 Coverage x1
BOXES D ROPE CLIP HANGERS	Adjustable Hangers x2	Adjustable Hangers x2	Adjustable Hangers x2	Adjustable Hangers x2	Adjustable Hangers x2	Adjustable Hangers x2	Adjustable Hangers x2	Adjustable Hangers x2
BOXES D CONTROLLER CORD	UIS Male-Male Controller Cord x1	UIS Male-Male Controller Cord x1	UIS Male-Male Controller Cord x1	UIS Male-Male Controller Cord x1	UIS Male-Male Controller Cord x1	UIS Male-Male Controller Cord x1	UIS Male-Male Controller Cord x1	UIS Male-Male Controller Cord x1
BOX E CLIP-ON FAN	CLOUDRAY S6, Oscillating Clip Fan x1	CLOUDRAY S6, Oscillating Clip Fan x1	CLOUDRAY S6, Oscillating Clip Fan x1	CLOUDRAY S6, Oscillating Clip Fan x1	CLOUDRAY S6, Oscillating Clip Fan x1	CLOUDRAY S6, Oscillating Clip Fans x2	CLOUDRAY S6, Oscillating Clip Fans x2	CLOUDRAY S6, Oscillating Clip Fans x2
BOXES E L-SHAPED CONTROLLER CORD	UIS Male-Male Controller Cord x1	UIS Male-Male Controller Cord x1	UIS Male-Male Controller Cord x1	UIS Male-Male Controller Cord x1	UIS Male-Male Controller Cord x1	UIS Male-Male Controller Cord x1	UIS Male-Male Controller Cord x1	UIS Male-Male Controller Cord x1
BOX F CARBON FILTER	Inline Carbon Filter, 4 in. x1	Inline Carbon Filter, 4 in. x1	Inline Carbon Filter, 6 in. x1	Refillable Carbon Filter, 6 in. x1	Inline Carbon Filter, 6 in. x1	Inline Carbon Filter, 6 in. x1	Refillable Carbon Filter, 6 in. x1	Refillable Carbon Filter, 6 in. x1
BOX G DUCTING	4 in. Flexible Ducting, 8 ft. Length x1	4 in. Flexible Ducting, 8 ft. Length x1	6 in. Flexible Ducting, 8 ft. Length x1	6 in. Flexible Ducting, 8 ft. Length x1	6 in. Flexible Ducting, 8 ft. Length x1	6 in. Flexible Ducting, 8 ft. Length x1	6 in. Flexible Ducting, 8 ft. Length x1	6 in. Flexible Ducting, 8 ft. Length x1
BOX G CLAMPS	4 in. Silver Metal Clamp x2	4 in. Silver Metal Clamp x2	6 in. Silver Metal Clamp x2	6 in. Silver Metal Clamp x2	6 in. Silver Metal Clamp x2	6 in. Silver Metal Clamp x2	6 in. Silver Metal Clamp x2	6 in. Silver Metal Clamp x2
BOX H FABRIC POTS	Fabric Pots, 5 gal. x2	Fabric Pots, 5 gal. x2	Fabric Pots, 5 gal. x4	Instant Potting Mix Kit, 5 gal. x1	Fabric Pots, 5 gal. x6	Fabric Pots, 5 gal. x8	Fabric Pots, 5 gal. x8	Fabric Pots, 5 gal. x12
BOX I TRELLIS NETTING	Elastic Trellis Netting 2' x 2' x1	Elastic Trellis Netting 2' x 2' x1	Elastic Trellis Netting 2' x 4' x1	Elastic Trellis Netting 2' x 4' x1	Elastic Trellis Netting 3' x 3' x1	Elastic Trellis Netting 4' x 4' x1	Elastic Trellis Netting 4' x 4' x1	Elastic Trellis Netting 5' x 5' x1
BOX I TWIST TIES	Wire Plant Tie, Black x1	Wire Plant Tie, Black x1	Wire Plant Tie, Black x1	Wire Plant Tie, Black x1	Wire Plant Tie, Black x1	Wire Plant Tie, Black x1	Wire Plant Tie, Black x1	Wire Plant Tie, Black x1
BOX I PRUNING SNIPS	Micro-Tip Shears x1	Micro-Tip Shears x1	Micro-Tip Shears x1	Micro-Tip Shears x1	Micro-Tip Shears x1	Micro-Tip Shears x1	Micro-Tip Shears x1	Micro-Tip Shears x1
BOX I DUCTING TAPE	Aluminum Tape, 5 ft. x1	Aluminum Tape, 5 ft. x1	Aluminum Tape, 5 ft. x1	Aluminum Tape, 5 ft. x1	Aluminum Tape, 5 ft. x1	Aluminum Tape, 5 ft. x1	Aluminum Tape, 5 ft. x1	Aluminum Tape, 5 ft. x1
BOX I HOOK AND LOOP TIES	Hook and Loop Cable Tie x10	Hook and Loop Cable Tie x10	Hook and Loop Cable Tie x10	Hook and Loop Cable Tie x10	Hook and Loop Cable Tie x10	Hook and Loop Cable Tie x10	Hook and Loop Cable Tie x10	Hook and Loop Cable Tie x10
ATHENA NUTRIENT KIT	Not Included	Not Included	Not Included	Cleanse x1 Balance x1 Grow A x1 Grow B x1 CaMg x1 PK x1 Bloom A x1 Bloom B x1	Not Included	Not Included	Not Included	Not Included

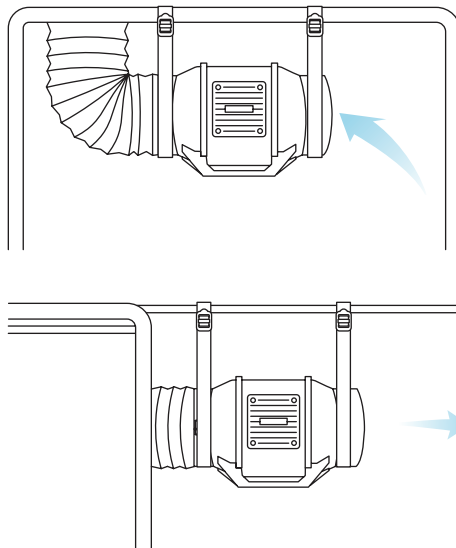
*Athena is a registered trademark of Athena Ag, Inc.

QUICK BUILD GUIDE

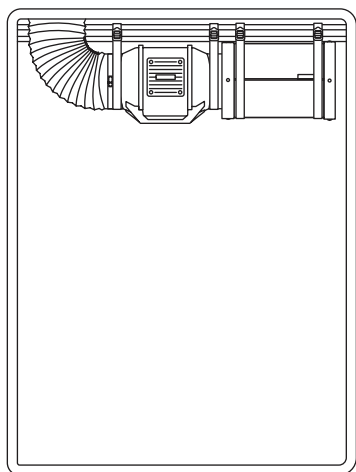
1 Build the **Grow Tent (BOX A)**. Refer to the CLOUDLAB section.



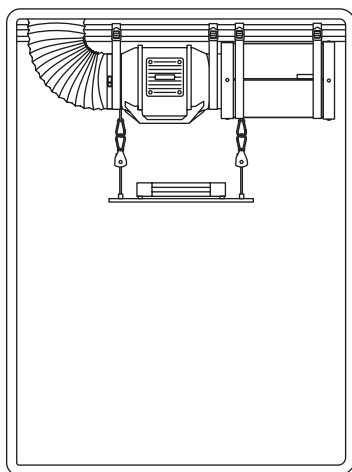
2 Install the **Inline Fan with Straps (BOX C)**, **Ducting** and **Clamps (BOX G)** to your preferred configuration. Refer to the CLOUDLINE section.



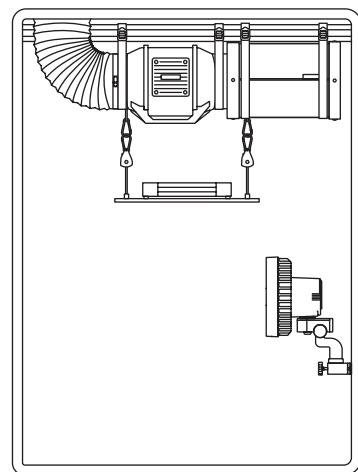
3 You may connect and hang the **Carbon Filter** with **Straps (BOX F)** to your ductwork. Refer to the Carbon Filter section. Use **Duct Tape (BOX I)** to seal any gaps in the ducting.



4 Hang the **Grow Light** using **Rope Hangers (BOX D)** by the roof support beams. Refer to the Grow Light section. Turn the knob to "UIS" to pair and connect with the controller.



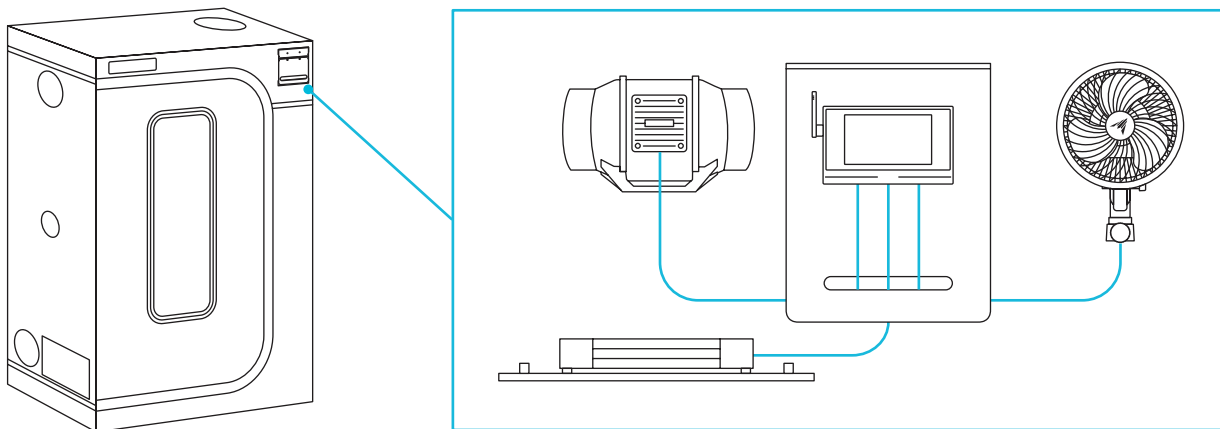
5 Clamp the **Clip Fan (BOX E)** onto the tent frame. Refer to the CLOUDRAY section.



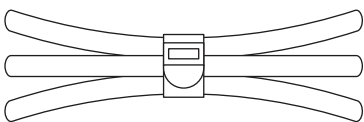
QUICK BUILD GUIDE

- 6** Mount the **Grow Tent Controller (BOX B)** onto the **Controller Plate (BOX A)**. Refer to the Controller Plate Setup section.

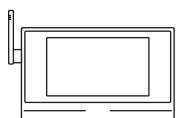
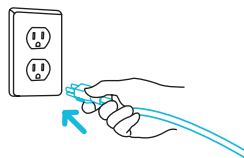
Plug the probe into the probe port. Plug the **Inline Fan's controller cable (BOX C)** into Port 1, the **Grow Light's controller cable (BOX D)** into Port 2, and the **Clip Fan's controller cable (BOX E)** into Port 3. Plug the second **Clip Fan's controller cable (BOX E)** into Port 4 (AC-PKB44 and AC-PKB55 models only).



- 7** Use the **Hook and Loop Ties (BOX I)** to manage the wires.



- 8** Plug all the electronic devices into available AC outlets.



- 9** Set the **Grow Tent Controller's (BOX B)** clock time to your local time. Refer to the included CONTROLLER AI+ Quick Start Guide.

Program your controller to the following settings:

- Port 1 – Set your **Inline Fan** to Min Level 2 in OFF Mode, Max Level 5 in ON Mode, and 12:00 pm to 6:00 pm in Schedule Mode.
- Port 2 – Set your **Grow Light** to Min Level 0 in OFF Mode, Max Level 10 in ON Mode, and 6:00 pm to 12:00 pm in Schedule Mode.
- Port 3 (and 4 if applicable) – Set your **Oscillating Fan** to Level 5 in ON Mode.

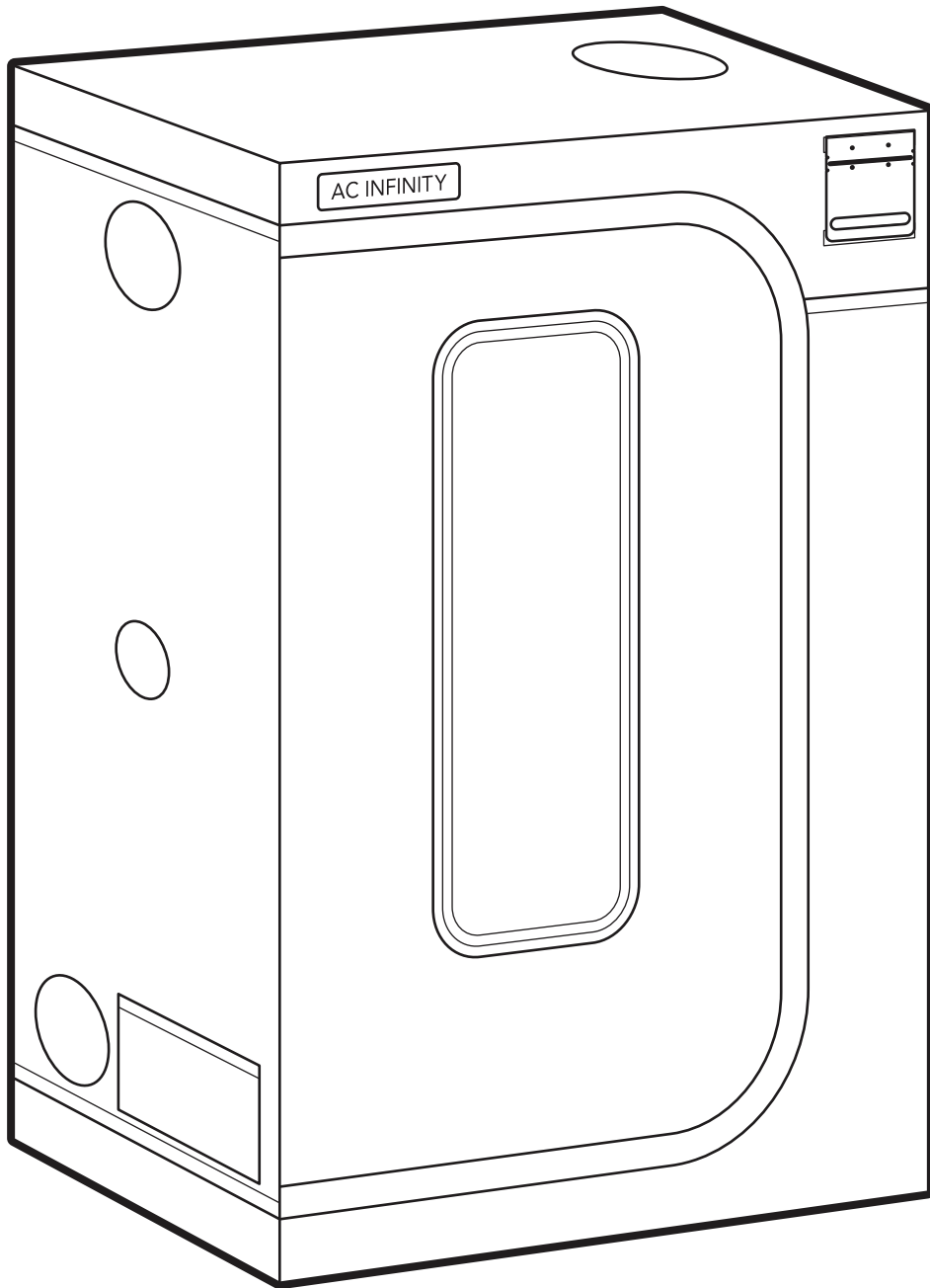
Download the AC Infinity app to access recipes for each grow stage and more automations.



Add potting mix and plant seeds into the **Fabric Pot (BOX H)**, and set it inside of the grow tent to finish the build.

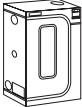
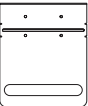


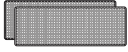

CLOUDLAB SERIES

ADVANCE GROW TENT



ADVANCE GROW TENT

PRODUCT CONTENTS

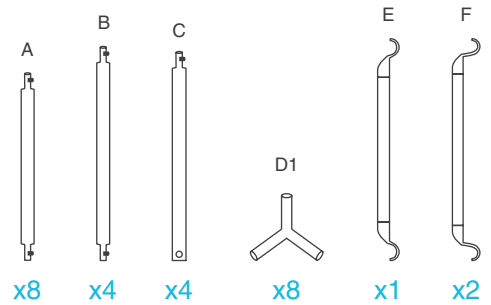
	AI-Powered Grow System COMPACT (2x2) AC-PKA22	AI-Powered Grow System (2x2) AC-PKB22	AI-Powered Grow System (2x4) AC-PKB24	AC INFINITY x ATHENA, AI-Powered Grow System (2x4) AC-PKN24	AI-Powered Grow System (3x3) AC-PKB33	AI-Powered Grow System (4x4) AC-PKB44	AI-Powered Grow System PRO (4x4) AC-PKC44	AI-Powered Grow System PRO (5x5) AC-PKB55
 GROW TENT	CLOUDLAB 422, 24" x 24" x 48" x1	CLOUDLAB 722, 24" x 24" x 72" x1	CLOUDLAB 642, 24" x 48" x 72" x1	CLOUDLAB 642, 24" x 48" x 72" x1	CLOUDLAB 733, 36" x 36" x 72" x1	CLOUDLAB 844, 48" x 48" x 80" x1	CLOUDLAB 844, 48" x 48" x 80" x1	CLOUDLAB 866, 60" x 60" x 80" x1
 CONTROLLER MOUNTING PLATE	x1	x1	x1	x1	x1	x1	x1	x1
 WALL HANG SCREWS WITH NUTS	x4	x4	x4	x4	x4	x4	x4	x4
 CONTROLLER PLATE BOLTS WITH NUTS	x4	x4	x4	x4	x4	x4	x4	x4
 CONTROLLER HOOK AND LOOP PADS	x6	x6	x6	x6	x6	x6	x6	x6
 NYLON HANGING STRAPS	x2	x2	x2	x2	x2	x2	x2	x2

CLOUDLAB

PRODUCT CONTENTS

CLOUDLAB SERIES Included only with

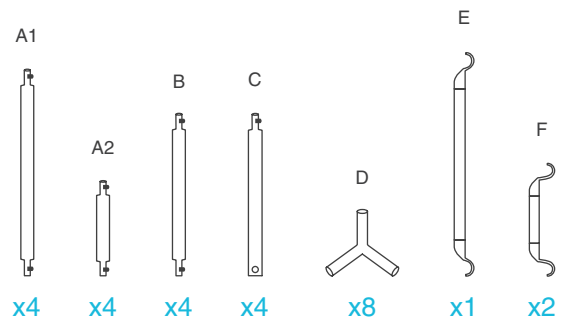
CLOUDLAB 422 AC-CBA422
 CLOUDLAB 722 AC-CBA722



FRAME POLES

CLOUDLAB SERIES Included only with

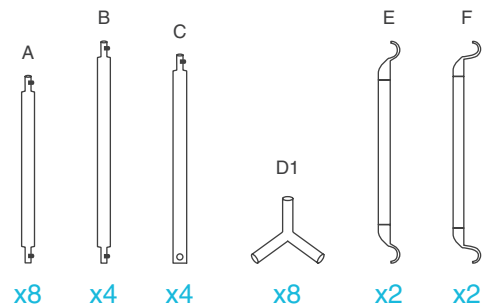
CLOUDLAB 642 AC-CBA642



FRAME POLES

CLOUDLAB SERIES Included only with

CLOUDLAB 733 AC-CBA733
 CLOUDLAB 844 AC-CBA844
 CLOUDLAB 866 AC-CBA866



FRAME POLES

NOTE: Pole lengths may vary between all models.

CLOUDLAB

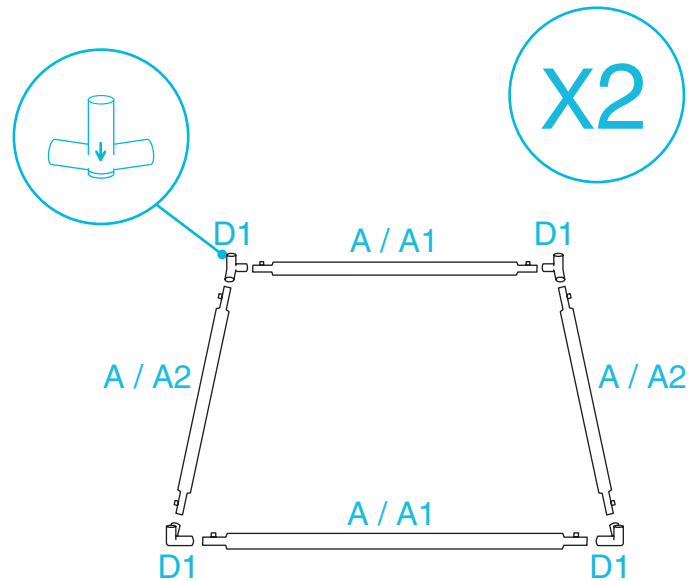
TENT SETUP

STEP 1

Insert the eight (A) poles* and into the floor end of the corner (D1) pieces to create two bases.

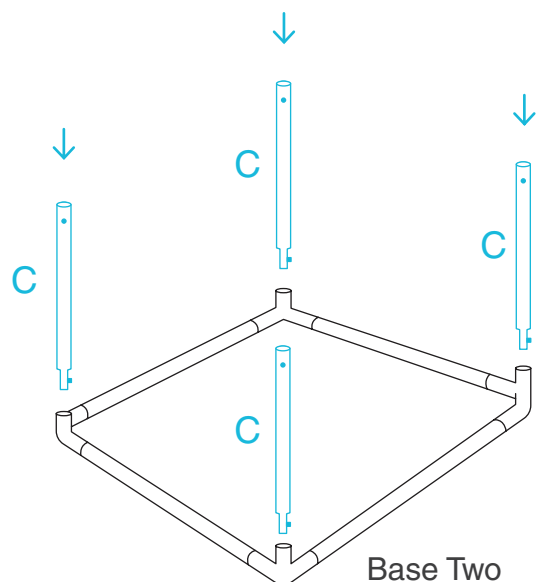
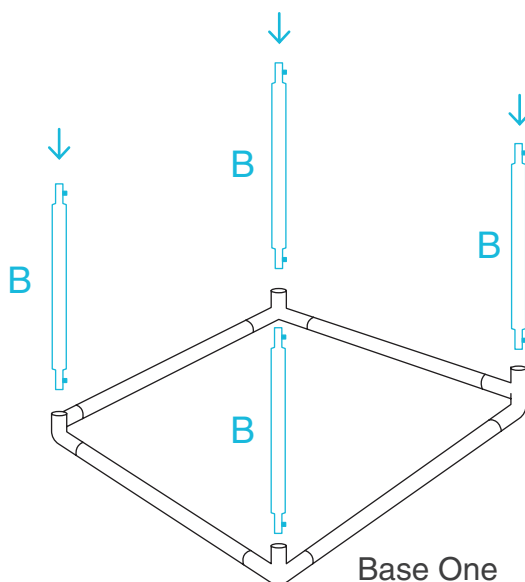
When assembling, make sure the feet of each corner (D1) piece faces the floor with the arrow facing down.

*Poles in CLOUDLAB 642 are labeled A1 & A2.



STEP 2

Insert the four (B) poles into Base One.
Insert the four (C) poles into Base Two.

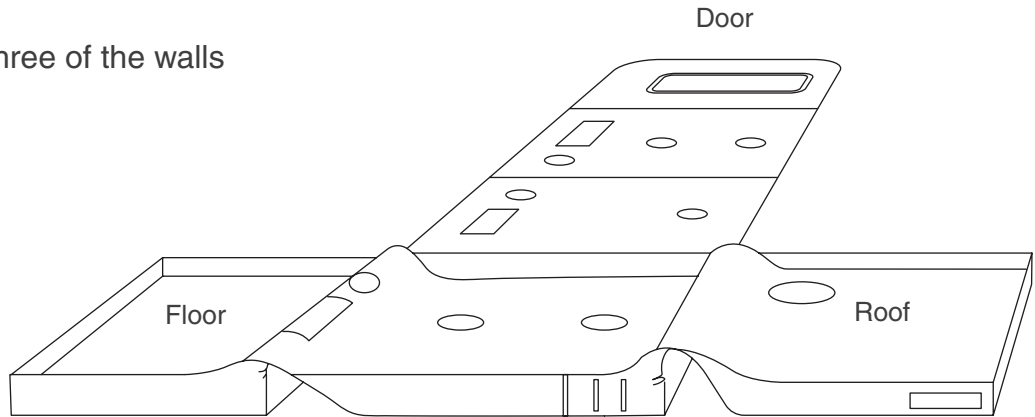


CLOUDLAB

TENT SETUP

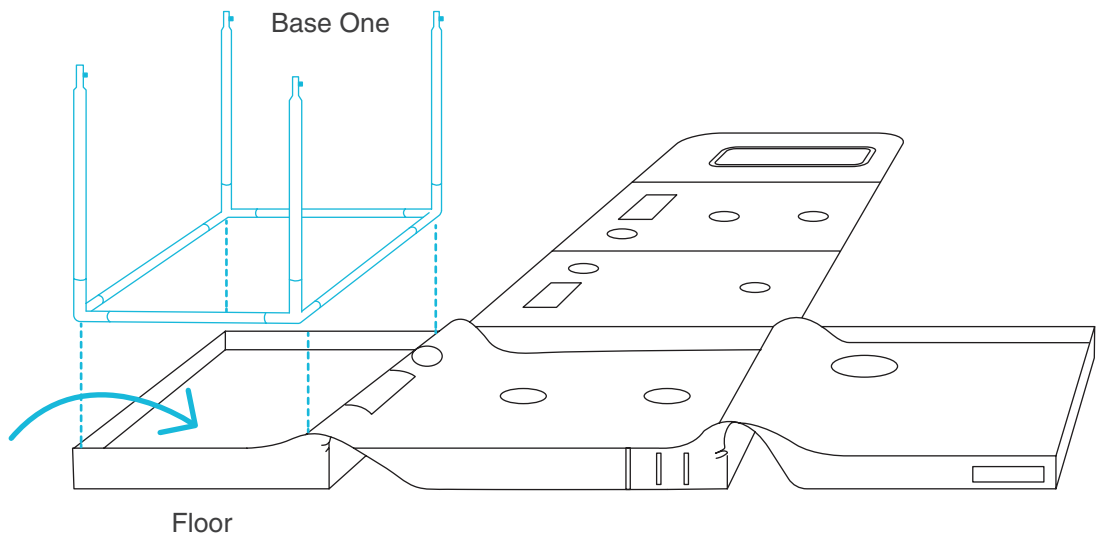
STEP 3

Unzip the tent so that three of the walls lay flat.



STEP 4

Guide Base One into the floor of the tent, making sure its corners meet the tent's corners.

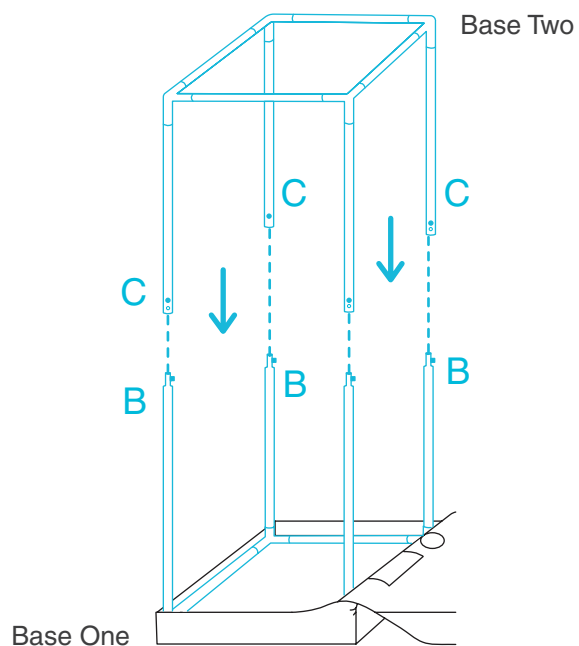


CLOUDLAB

TENT SETUP

STEP 5

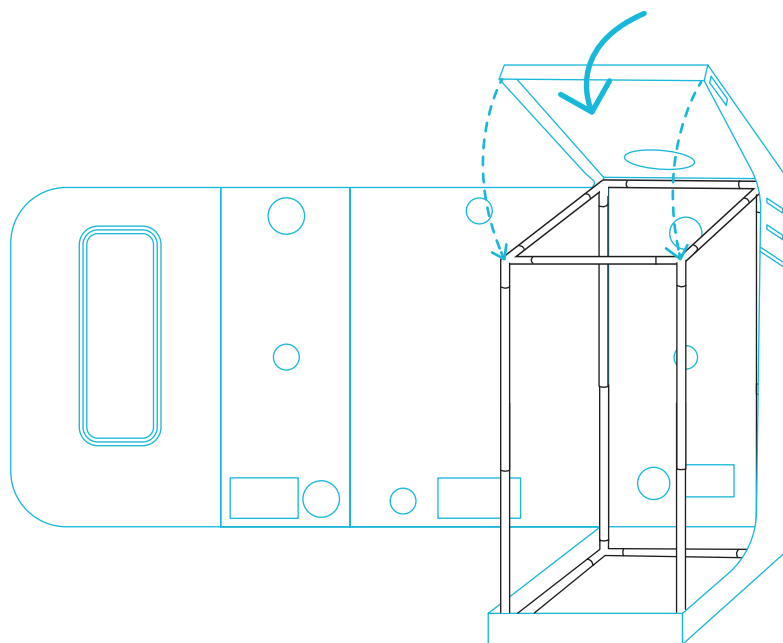
Insert the poles of Base Two into the poles of Base One to complete the frame.



Two people are recommended for this portion of the tent assembly.

STEP 6

Pull the roof over the assembled frame.



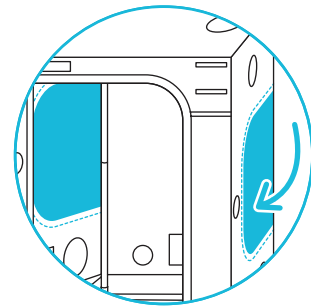
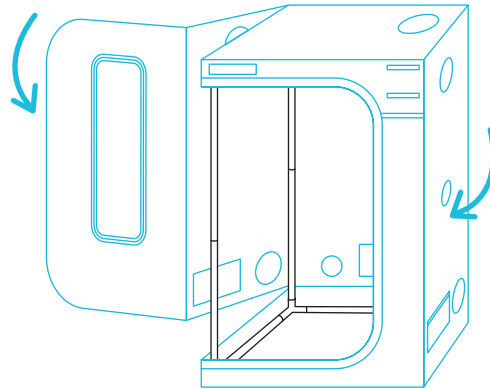
Two people are recommended for this portion of the tent assembly.

CLOUDLAB

TENT SETUP

STEP 7

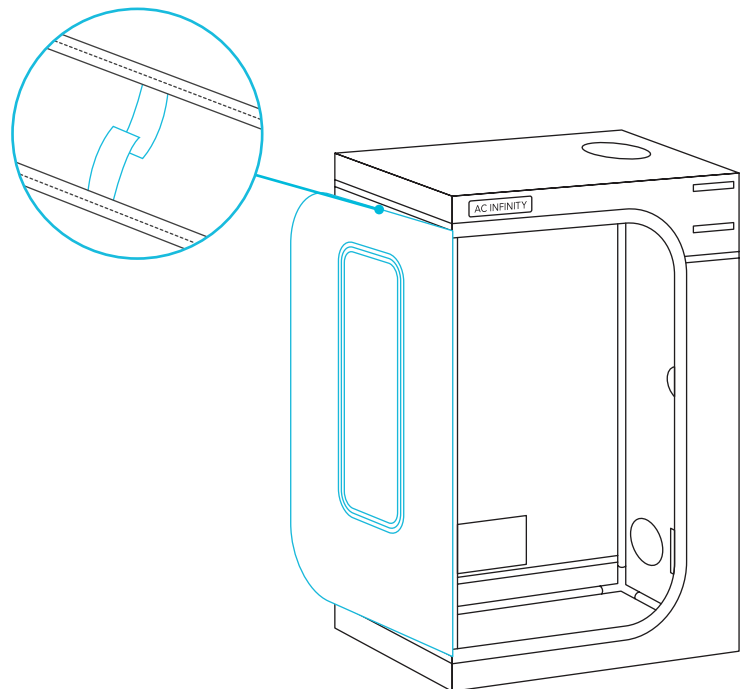
Pull the upper and lower zippers to close the walls and door.



*CLOUDLAB 733 / 844 / 866 are built with additional side doors.

STEP 8

You can neatly hold the window wall open any time by using its attached hook and loop strap.

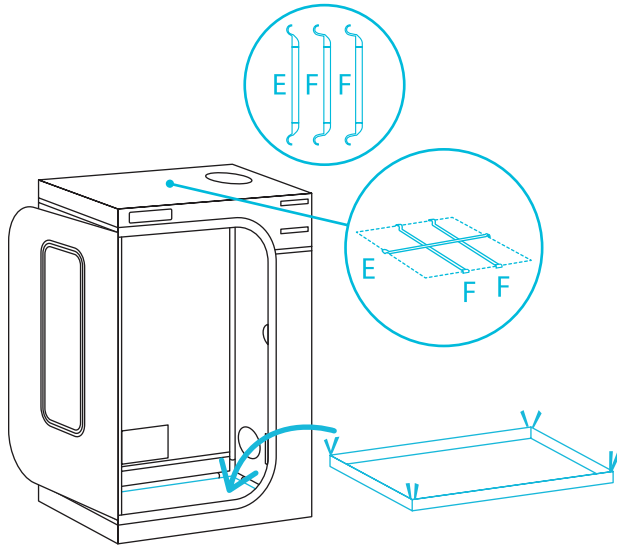


CLOUDLAB

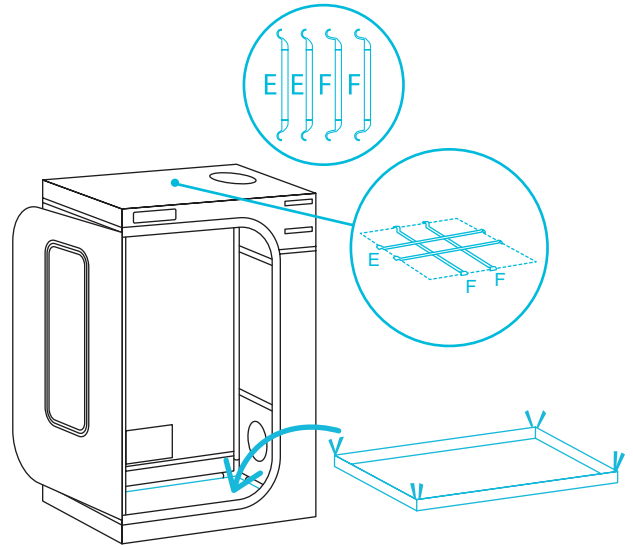
TENT SETUP

STEP 9

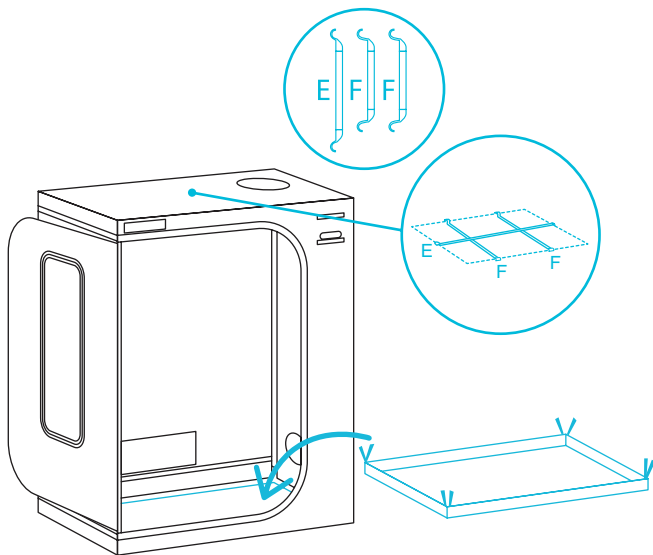
Add the roof support beams (E) then (F).
Insert the spill pool into the tent and secure
the hook and loop straps around the poles.



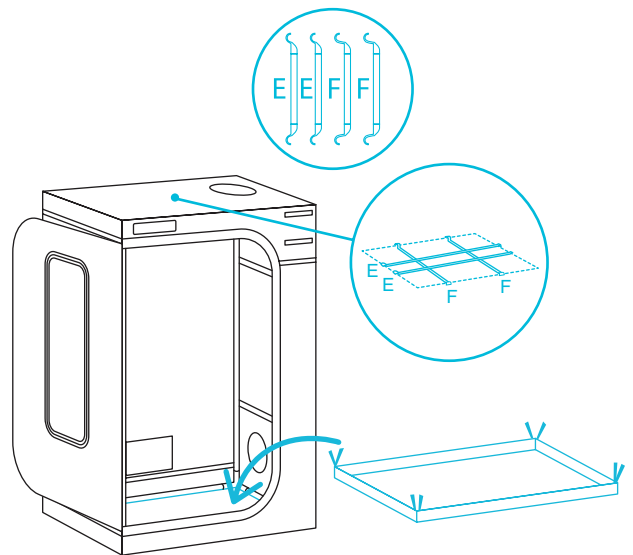
CLOUDLAB 422, 722



CLOUDLAB 733



CLOUDLAB 642



CLOUDLAB 844, 866

*CLOUDLAB 733 / 844 / 866 are built with additional side doors.

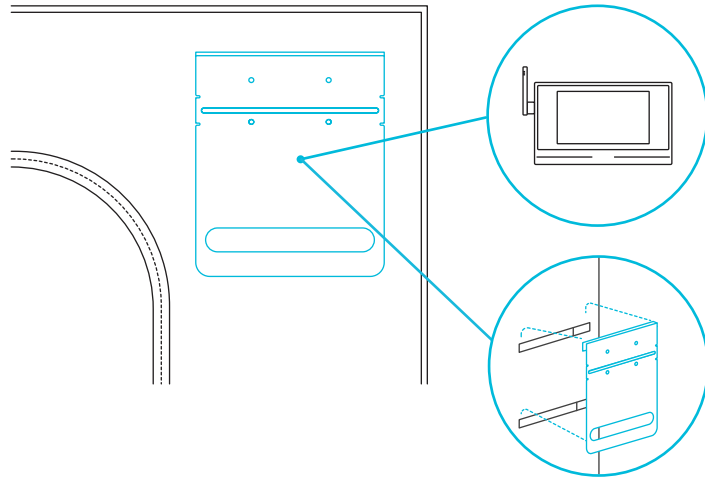
CLOUDLAB

CONTROLLER PLATE SETUP

STEP 1

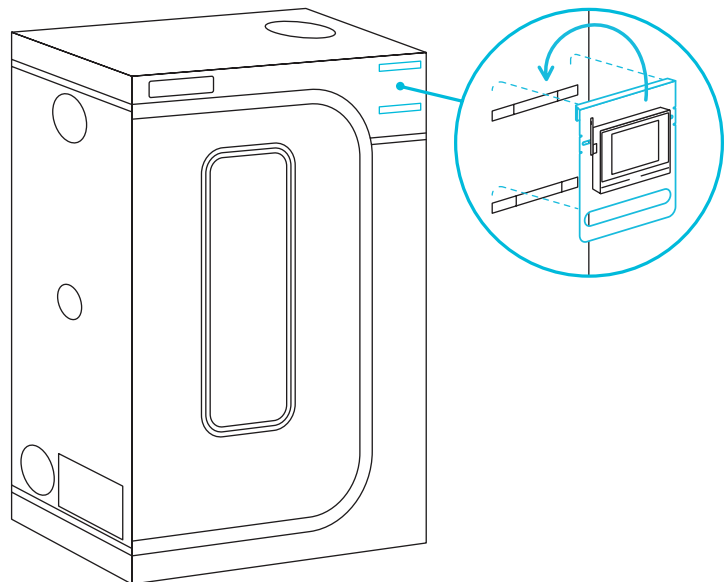
Magnetically mount the controller onto the bracket.

Refer to the CONTROLLER AI+ Mounting section for additional controller mounting methods.



STEP 2

Slide the controller bracket assembly into the tent straps.



CLOUDLAB 866 will include a lower third strap for an alternate mounting location.

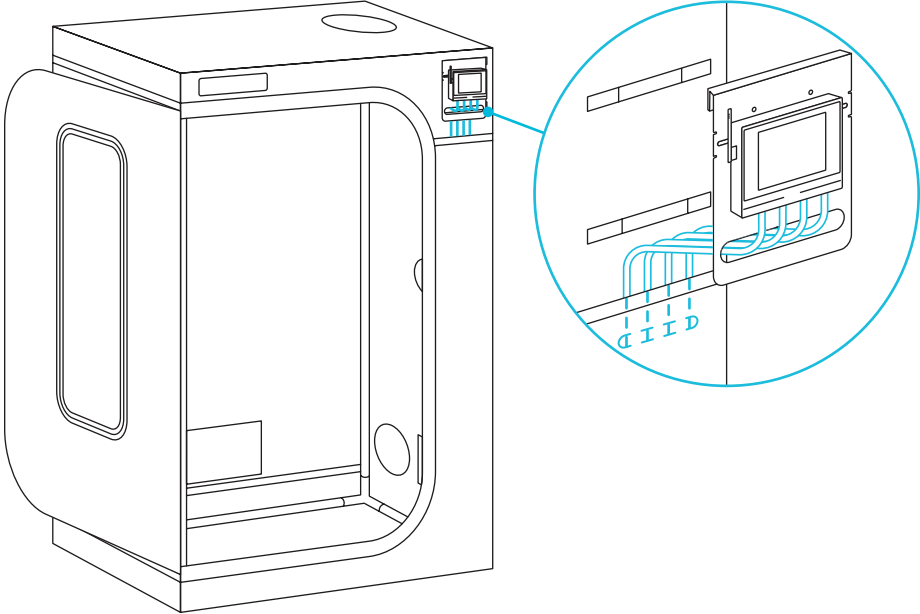
CLOUDLAB

CONTROLLER PLATE SETUP

STEP 3

Route your devices' power connectors through the opening inside and plug it into your controller.

Plug the probe into the controller and route its cables through the opening.

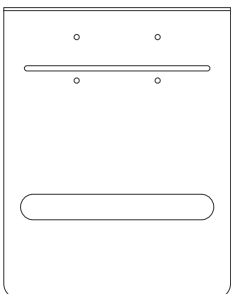
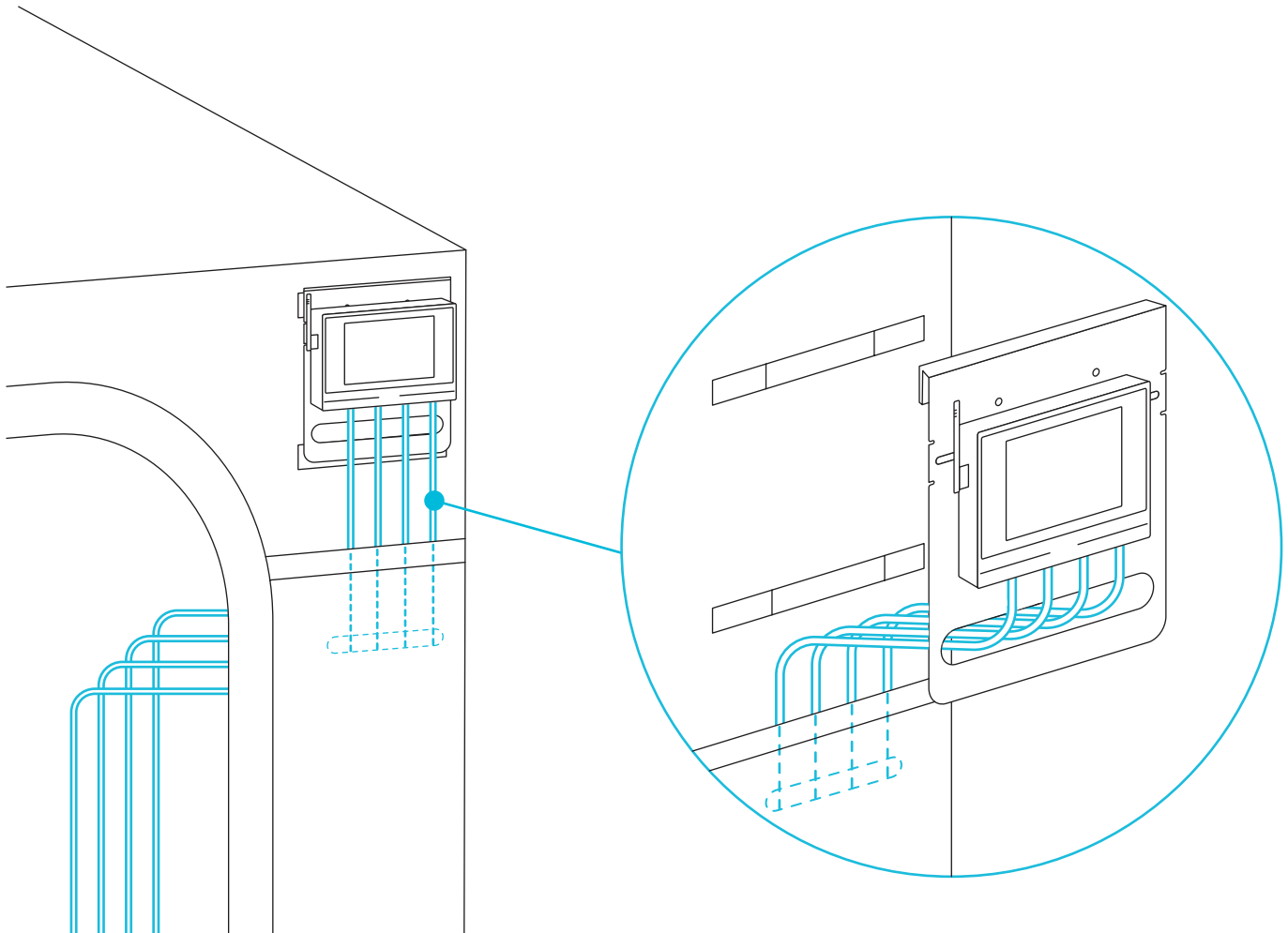


CLOUDLAB

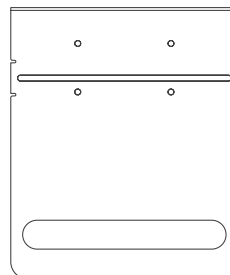
MOUNTING GUIDE

CONTROLLER PLATE

This grow tent includes a steel plate with a mounting slot for AC Infinity controllers. Mount your controller to the corresponding areas on the plate's slot. Route its wires through the oval opening and through the grow tent's flap. Some controller models may contain a hidden magnet on the backside, which can stick onto this plate without screws.



ONLY INCLUDED WITH
CLOUDLAB 642
CLOUDLAB 844
CLOUDLAB 866



ONLY INCLUDED WITH
CLOUDLAB 422
CLOUDLAB 722
CLOUDLAB 733

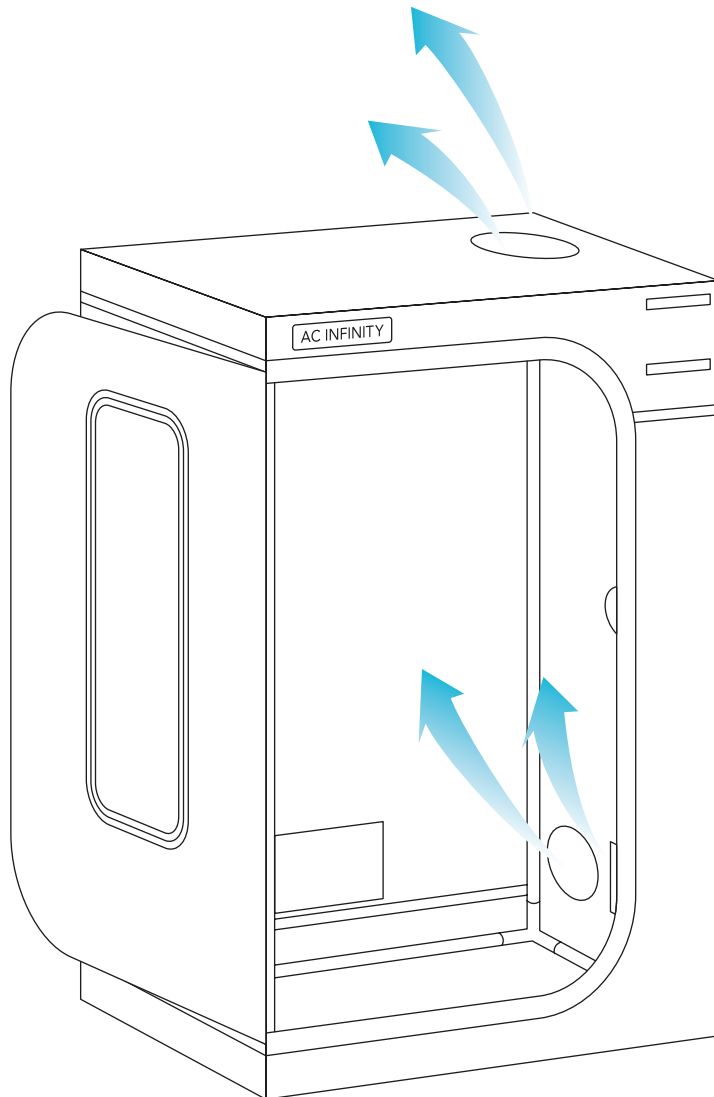
CLOUDLAB

VENTILATION GUIDE

INLINE FAN AND GROW LIGHT

First hang your inline duct fan to be used as an exhaust fan by the roof support beams. Position the intake fan at the bottom end so the intake air will be passive through the bottom vents. If you are installing a carbon filter inside, use the included straps to hang the carbon filter.

Then install your grow light. You may use rope clip hangers to install these products.



DOUBLE-SIDED CINCHES

Install any necessary duct tubes onto the ducting ports. Use the cinches on either end to secure the duct tubes onto the grow tent.

INTAKE HOLES

Introduce fresh air by using one of the two ventilation holes at the bottom of the grow tent. Open a passive intake screen or create active intake by attaching an additional inline fan to a duct port.

NEED MORE INFORMATION?

Scan the QR code or visit www.acinfinity.com for more guides and tutorials.

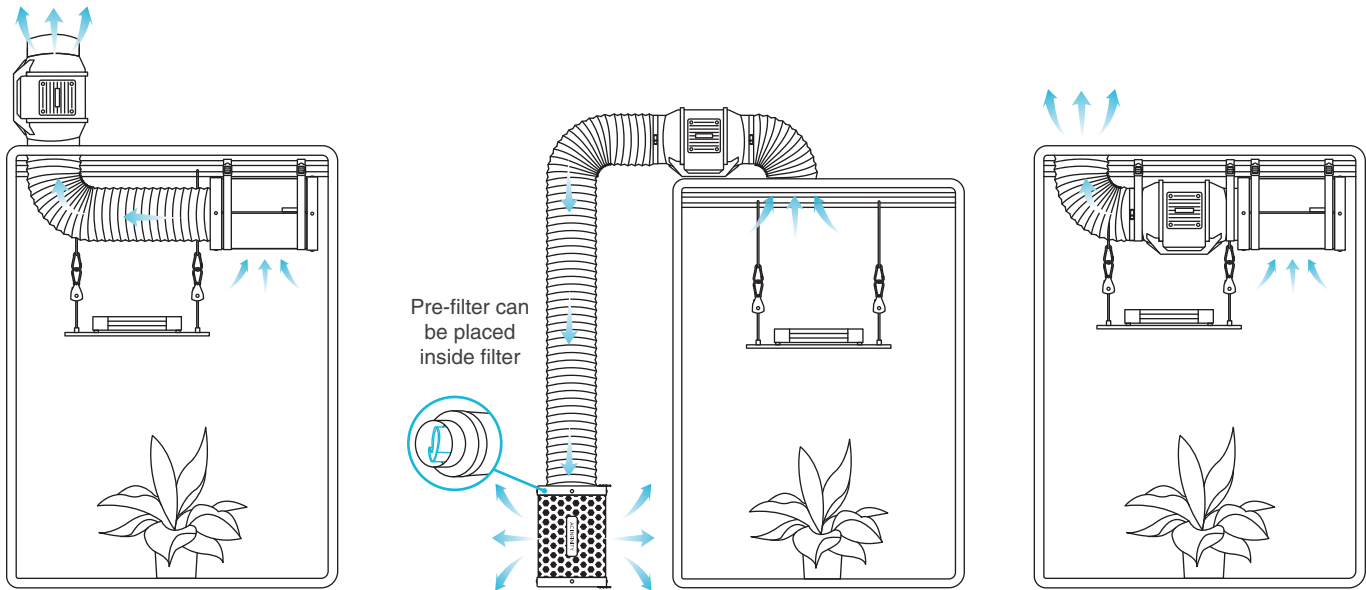


CLOUDLAB

CONFIGURATION SETUP

LIGHT AND VENTILATION PLACEMENT

There are many ways to configure these components to bring airflow into your grow space. A typical setup places the fan and the filter inside, which makes it easier to manage while dampening the fan noise. Both can be situated in any order within the ventilation chain if air is being pulled out of your grow space.



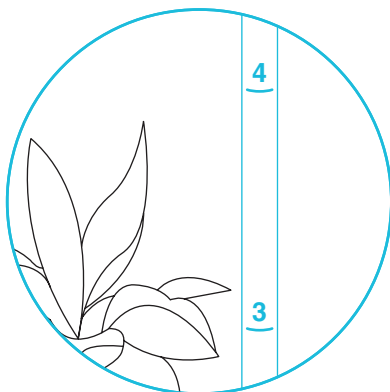
**Fan Set
Outside The Tent**

**Fan and Filter Set
Outside The Tent**

**Fan and Filter Set
Inside tent**

For example, your grow lights might get in the way of your cooling equipment. In this case, you may set the fan and/or filter outside of your grow tent.

We recommend setting your extraction fan at the highest point possible. Since heat rises to the top, exhausting that hot air at that point will make the ventilation process efficient. Your carbon filter will also perform better if it's positioned at the highest point.

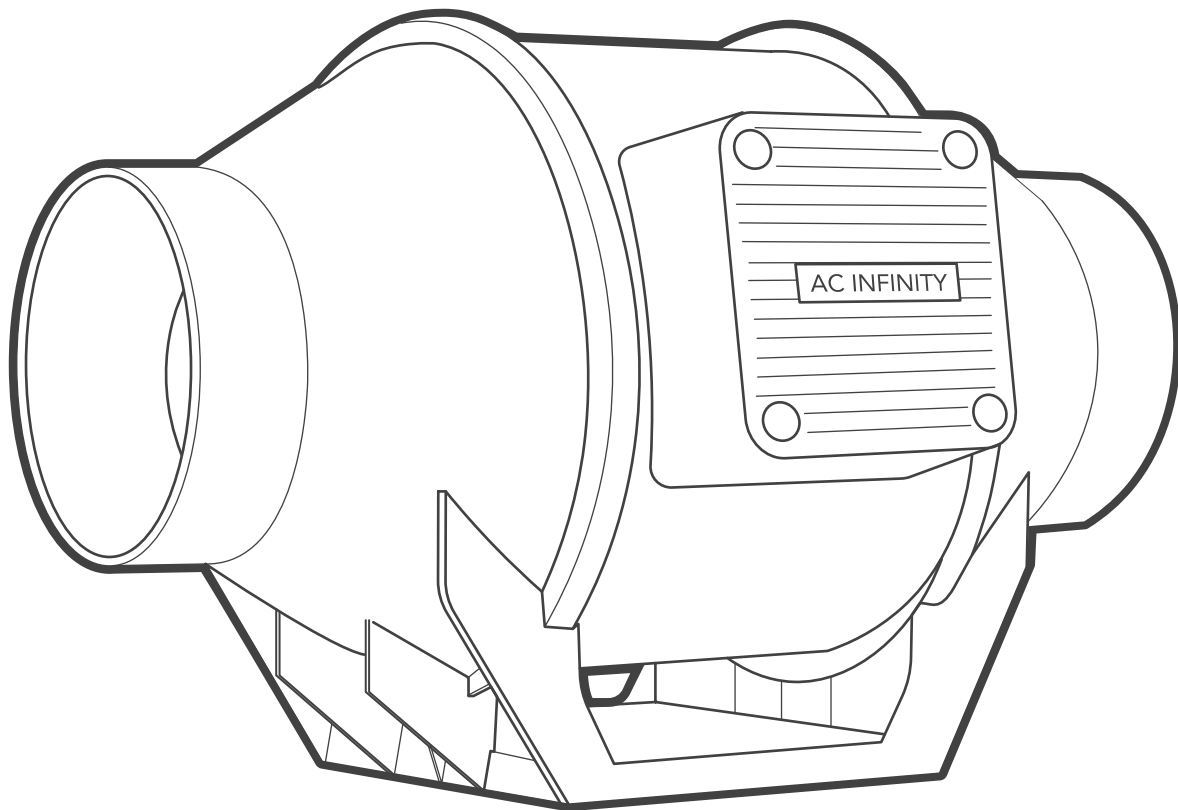


TENT POLES

You may use the tent poles' length markers (in feet) to help measure your plant's height.

CLOUDLINE


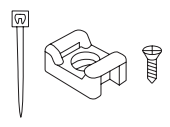
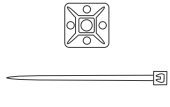

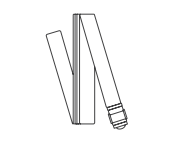
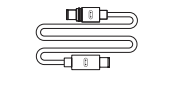
MIXED FLOW INLINE FAN SYSTEMS



CLOUDLINE A4 shown

CLOUDLINE

PRODUCT CONTENTS

	AI-Powered Grow System COMPACT (2x2) AC-PKA22	AI-Powered Grow System (2x2) AC-PKB22	AI-Powered Grow System (2x4) AC-PKB24	AC INFINITY x ATHENA, AI-Powered Grow System (2x4) AC-PKN24	AI-Powered Grow System (3x3) AC-PKB33	AI-Powered Grow System (4x4) AC-PKB44	AI-Powered Grow System PRO (4x4) AC-PKC44	AI-Powered Grow System PRO (5x5) AC-PKB55
 INLINE FAN	CLOUDLINE A4 Inline Fan, 4 in. x1	CLOUDLINE A4 Inline Fan, 4 in. x1	CLOUDLINE A6 Inline Fan, 6 in. x1	CLOUDLINE T6 Inline Fan, 6 in. x1	CLOUDLINE A6 Inline Fan, 6 in. x1	CLOUDLINE A6 Inline Fan, 6 in. x1	CLOUDLINE T6 Inline Fan, 6 in. x1	CLOUDLINE T6 Inline Fan, 6 in. x1
 WIRE TIE WITH MOUNTING BASE AND SCREW	x6	x6	x6	x6	x6	x6	x6	x6
 WIRE TIE WITH 3M BASE	x1	x1	x1	x1	x1	x1	x1	x1
 DUCT FAN MOUNTING SCREW WITH PLASTIC ANCHOR	x4	x4	x4	x4	x4	x4	x4	x4
 NYLON HANGING STRAPS	x2	x2	x2	x2	x2	x2	x2	x2
 CONTROLLER CORD	UIS Male-Male Controller Cord x1	UIS Male-Male Controller Cord x1	UIS Male-Male Controller Cord x1	UIS Male-Male Controller Cord x1	UIS Male-Male Controller Cord x1	UIS Male-Male Controller Cord x1	UIS Male-Male Controller Cord x1	UIS Male-Male Controller Cord x1

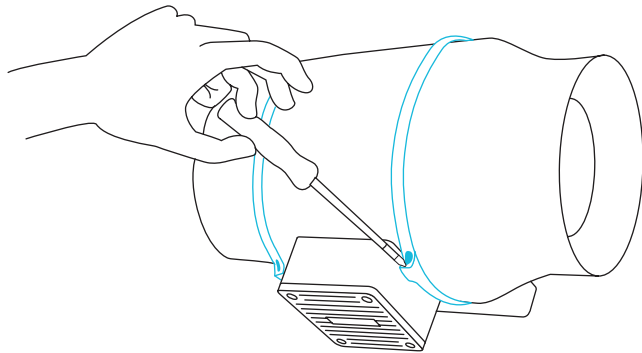
CLOUDLINE

MOUNTING

STEP 1

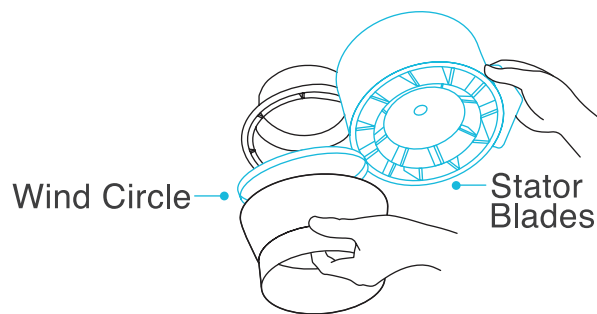
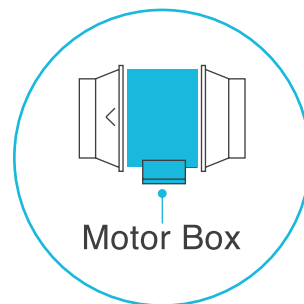
Unscrew the bolts on both sides from the plastic rings using a Phillips screwdriver.

Pliers are also required for removing the metal rings of the CLOUDLINE PRO T6.



STEP 2

Remove the motor box from the flange bracket. Remove the wind circle between the motor box and the intake flange.

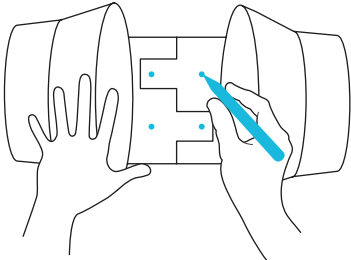


CLOUDLINE

MOUNTING

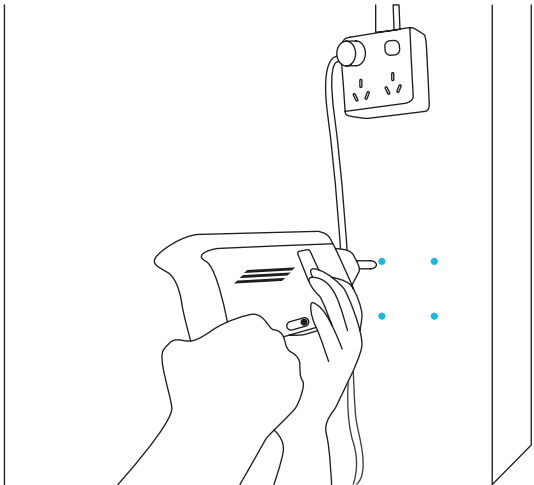
STEP 3

Use the flange bracket to set your desired fan position. Mark the four mounting holes.



STEP 4

Drill four holes into the marked locations. Make sure your mounting area is structurally sound and free from obstruction.



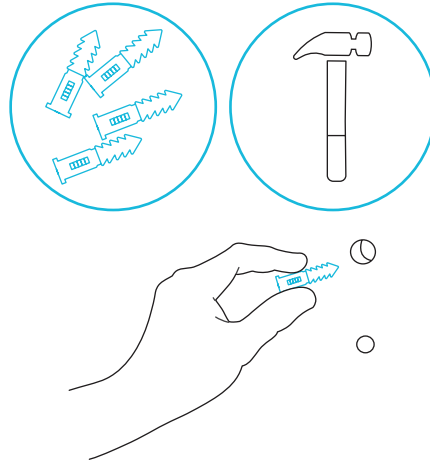
CLOUDLINE

MOUNTING

STEP 5

If you are mounting onto anything other than a wood support or stud, insert the included four wall anchors into the drilled mounting holes.

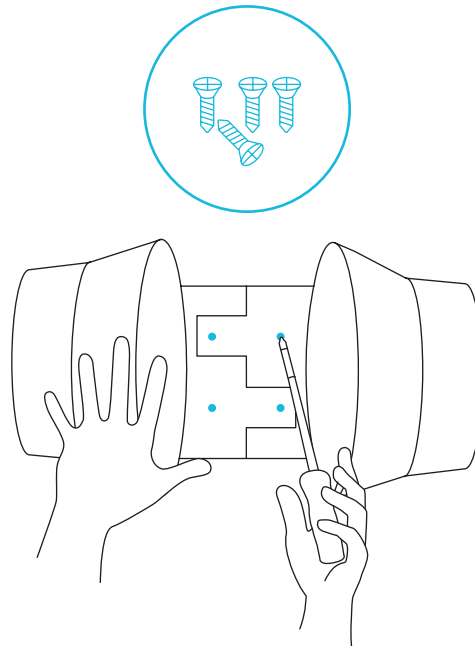
You may need to use a hammer to secure them through the holes.



STEP 6

Align the flange bracket's holes with the wall anchors. Screw in four wood screws with a screwdriver or drill to secure the flange bracket.

Make sure its airflow arrow is pointing in your desired direction.



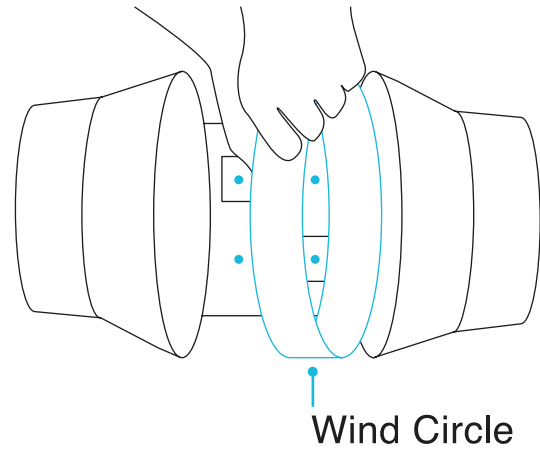
CLOUDLINE

MOUNTING

STEP 7

Place the wind circle back into the intake flange.

Reposition the metal clamps over the flanges for the CLOUDLINE PRO T6.

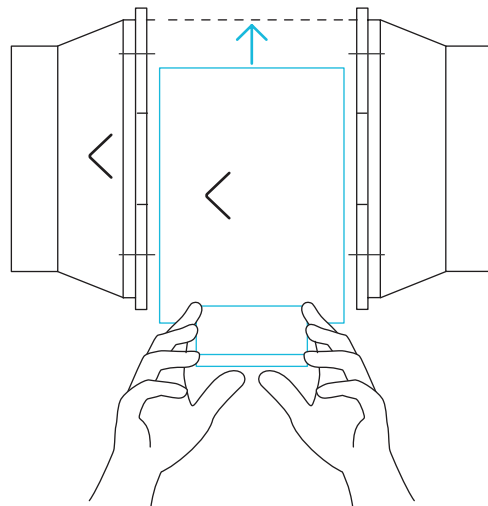


STEP 8

Slide the motor box back into the flange bracket, making sure its airflow arrow is pointing in the same direction as the flange bracket's arrow.

For the CLOUDLINE A-series fans, screw the bolts back into the plastic rings to secure the motor box to the flange bracket.

For the CLOUDLINE PRO T6, tighten the metal clamps using a Phillips screwdriver and pliers to secure the motor box.



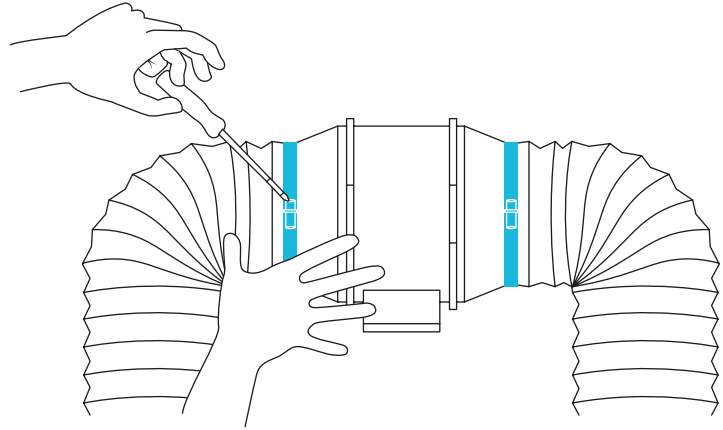
CLOUDLINE

MOUNTING

STEP 9

If installing ducting, use the included duct clamps to secure it to either end of the duct fan, making sure there is a tight seal.

Tighten the duct clamps using a flathead screwdriver.

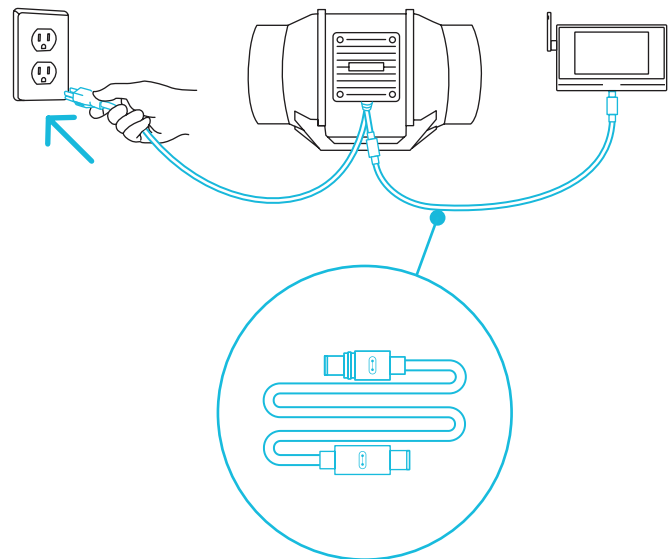


POWERING AND SETUP

Plug the fan's power cord into an AC power outlet to power it and the controller.

Refer to the CONTROLLER AI+ section for controller installation instructions. You will need to use the included UIS M-M extension cord to connect to the controller.

Plug the UIS connector with the gasket end into your fan. The gasket is specially designed to protect against liquids and dust.

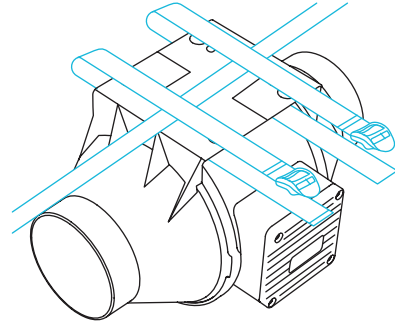


CLOUDLINE

OVERHEAD HANGING

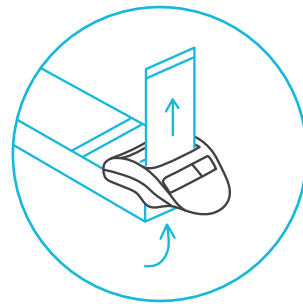
STEP 1

Loop the strap around the bracket and a pole.



STEP 2

Slip the strap through the inner ladder lock slot from the bottom.

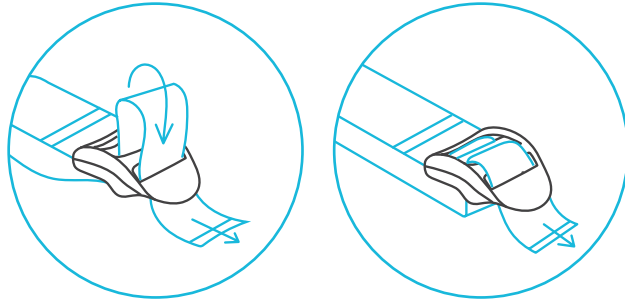


CLOUDLINE

OVERHEAD HANGING

STEP 3

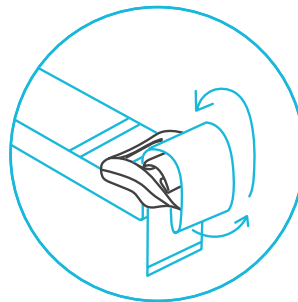
Route the strap into the outer ladder lock slot from the top. Adjust the length of the completed loop as needed.



Adjust to size

STEP 4

Tuck the loose end through the center gap of the ladder lock to secure the loop.



Loop through middle
to lock in place

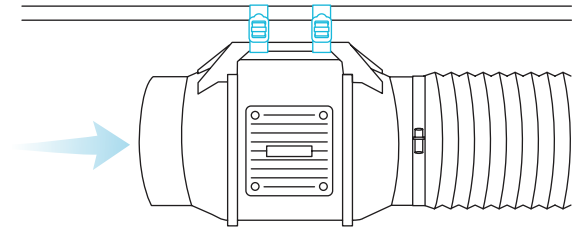
CLOUDLINE

OVERHEAD HANGING

STEP 5(a) - Hanging Downward

Let the fan hang by the pole once the straps are secure.

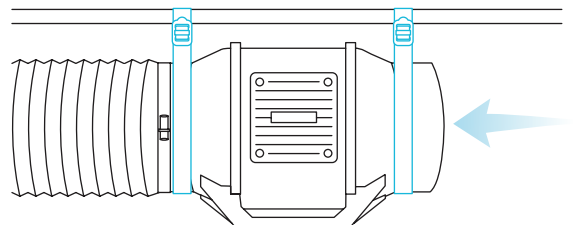
Make sure the fan's airflow arrow is pointing towards your desired direction.



STEP 5(b) - Hanging Upward

To hang the fan right-side up, loop and tighten the straps, as shown in steps 1-4, around the pole.

Hang the fan by the duct flanges to secure it.

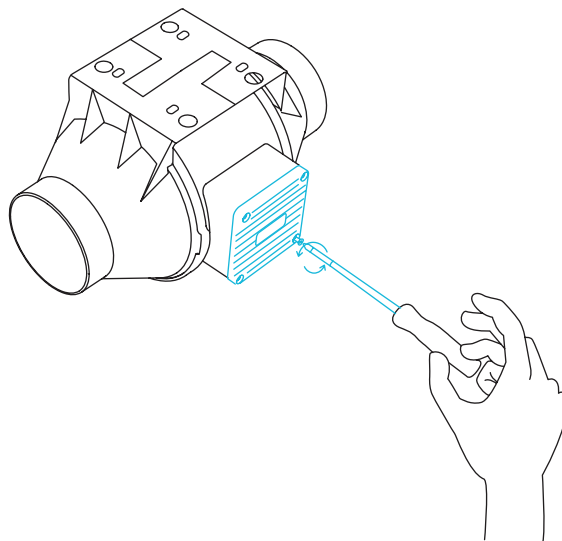


CLOUDLINE

MOTOR CAP

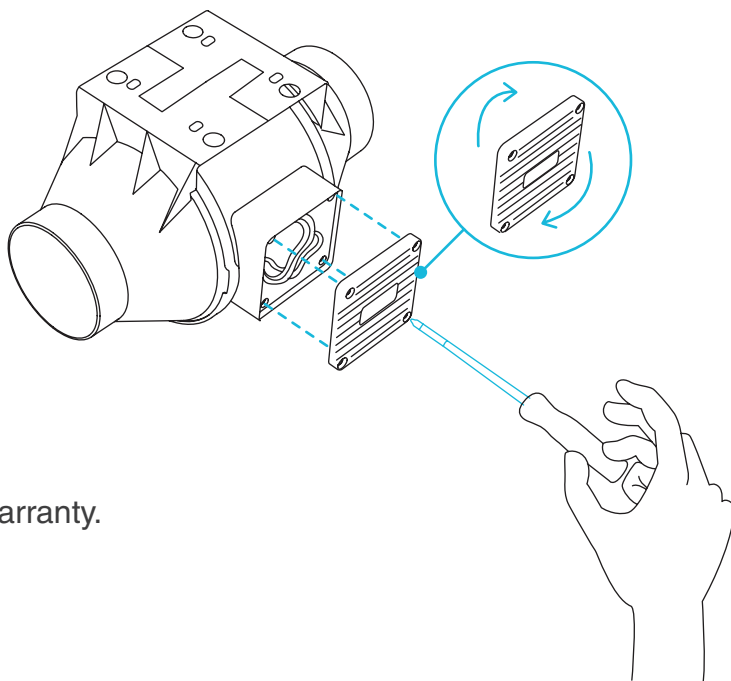
STEP 1

Unscrew the motor cap using a screwdriver.



STEP 2

Rotate the motor cap to your desired orientation. Reapply the screws.



Rotating the motor cap will not void your warranty.

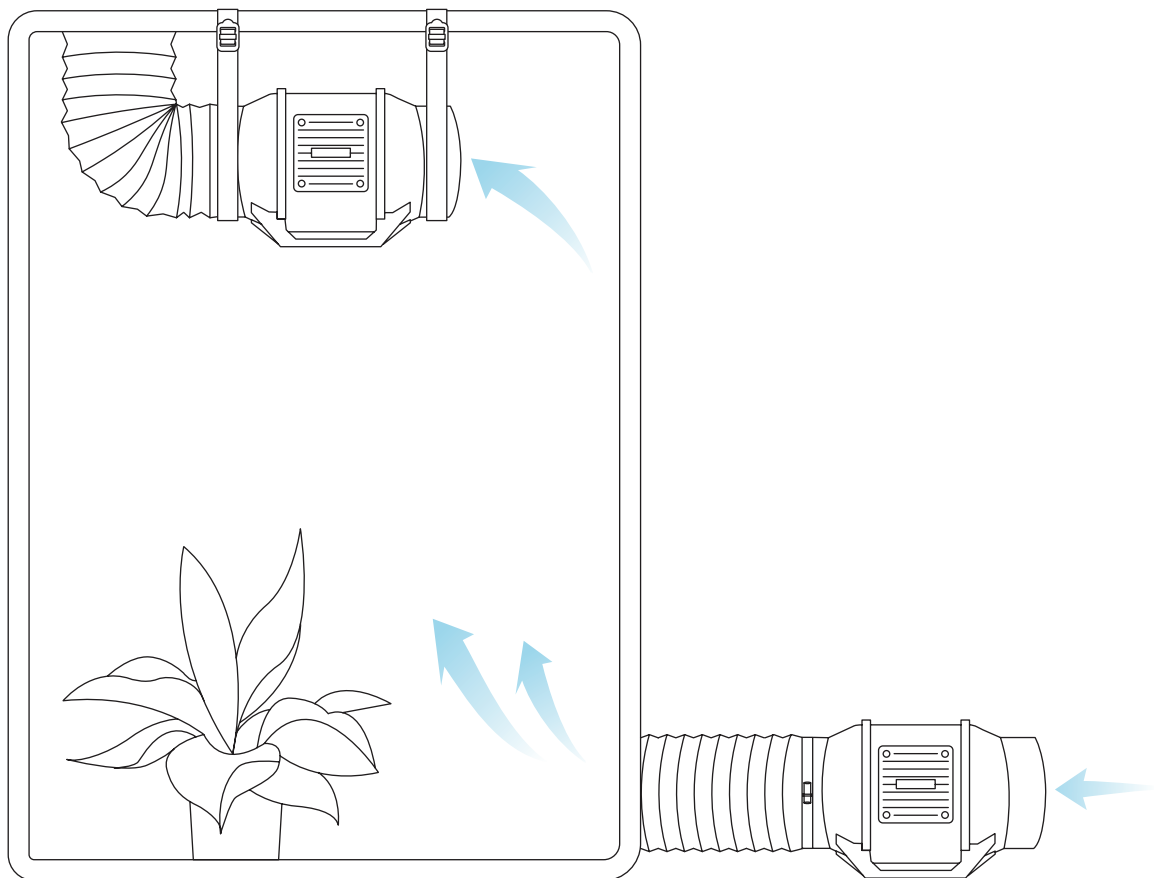
CLOUDLINE

CONFIGURATION SETUP

INTAKE AND EXHAUST

This fan can be used as either an intake fan or an exhaust fan in grow rooms and larger grow tents. To achieve optimal whole space ventilation, the intake fan or opening—if not using a fan—must be situated at a bottom corner of your grow space. The exhaust fan must be hung (shown below) or mounted at the highest opposite corner possible.

Make sure the intake fan's airflow arrow is pointing towards your grow space and the exhaust fan's arrow points away from your grow space.

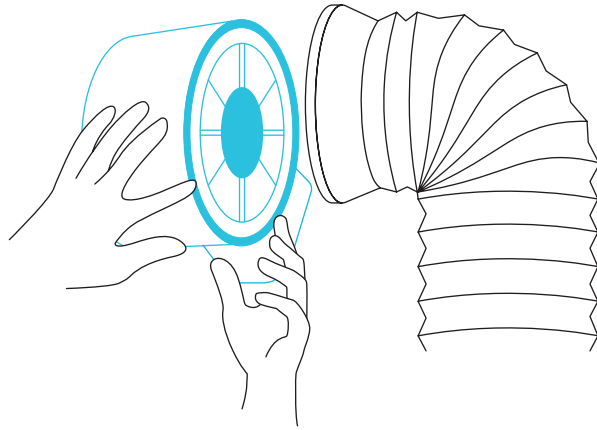


CLOUDLINE

CLEANING

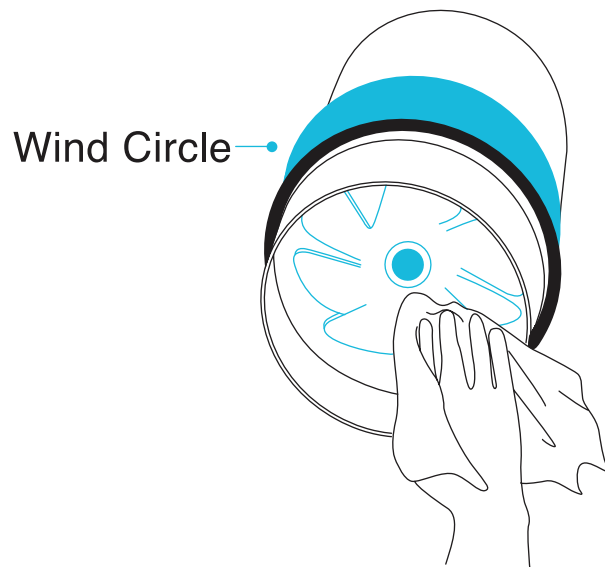
STEP 1

Remove the motor box from the mounting flange. Refer to the CLOUDLINE Mounting section to learn how to remove the motor box.



STEP 2

Use a damp cloth to clear the impeller and fan blades of any dust and debris. Remove the wind circle in between the motor box and input flange.

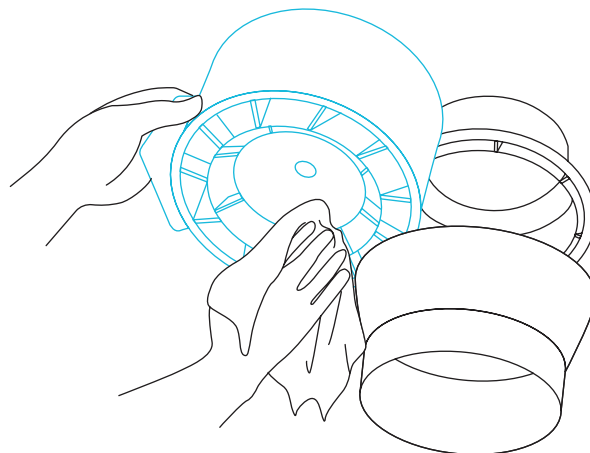


CLOUDLINE

CLEANING

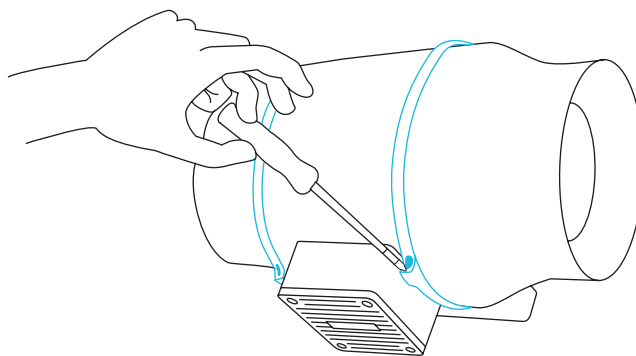
STEP 3

Clear the stator blades of any dust and debris on the opposite end. Clean the area inside the output and exhaust flanges.



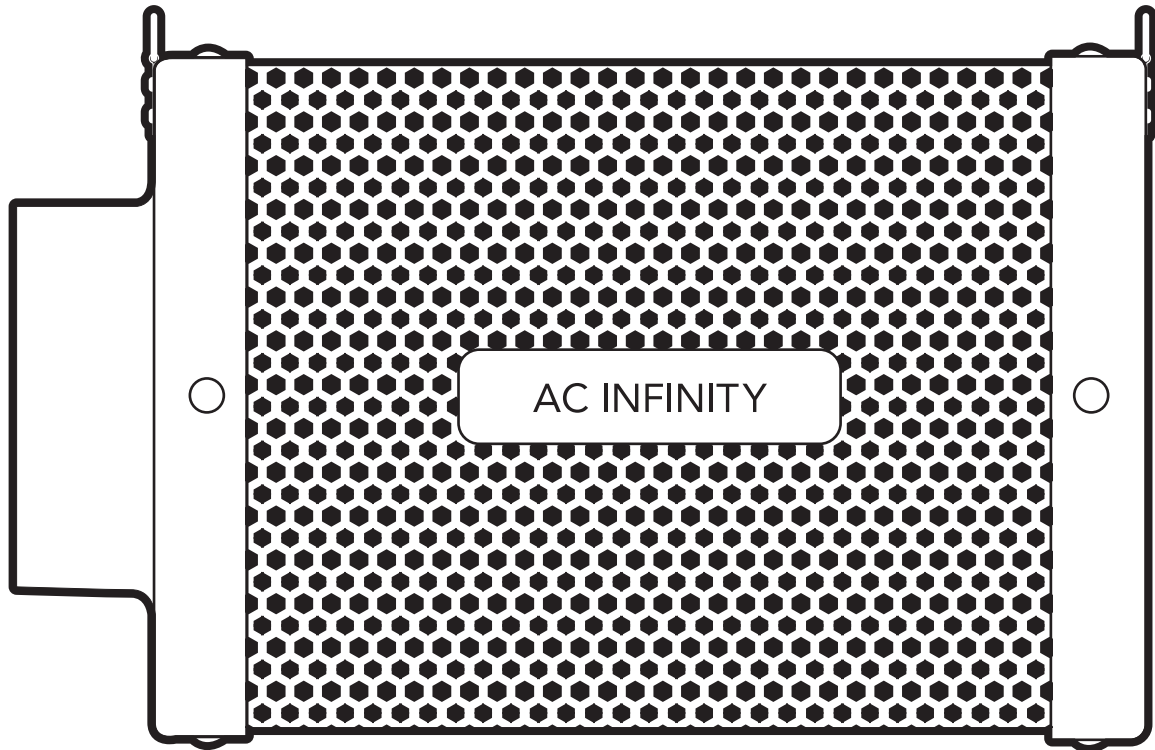
STEP 4

Secure the motor box onto the mounting flanges. Refer to the CLOUDLINE Mounting section to learn how to secure the motor box.



DUCT CARBON FILTER

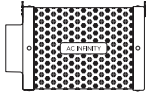
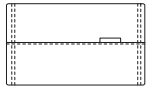
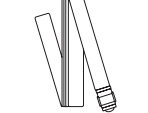
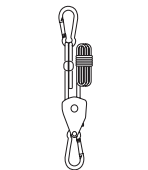


PREMIUM AUSTRALIAN CHARCOAL



Inline Carbon Filter shown

CARBON FILTER

PRODUCT CONTENTS

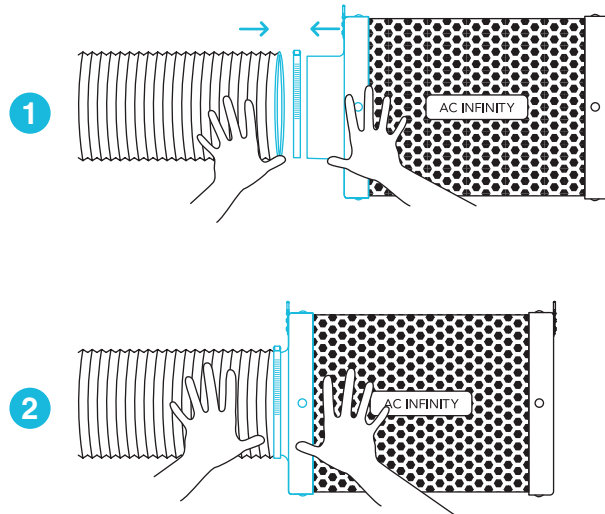
	AI-Powered Grow System COMPACT (2x2) AC-PKA22	AI-Powered Grow System (2x2) AC-PKB22	AI-Powered Grow System (2x4) AC-PKB24	AC INFINITY x ATHENA, AI-Powered Grow System (2x4) AC-PKN24	AI-Powered Grow System (3x3) AC-PKB33	AI-Powered Grow System (4x4) AC-PKB44	AI-Powered Grow System PRO (4x4) AC-PKC44	AI-Powered Grow System PRO (5x5) AC-PKB55
 <p>CARBON FILTER</p>	Inline Carbon Filter, 4 in. x1	Inline Carbon Filter, 4 in. x1	Inline Carbon Filter, 6 in. x1	Refillable Carbon Filter, 6 in. x1	Inline Carbon Filter, 6 in. x1	Inline Carbon Filter, 6 in. x1	Refillable Carbon Filter, 6 in. x1	Refillable Carbon Filter, 6 in. x1
 <p>PREFILTER CLOTH</p>	4 in. x2	4 in. x2	6 in. x2	6 in. x2	6 in. x2	6 in. x2	6 in. x2	6 in. x2
 <p>NYLON HANGING STRAPS</p>	x2	x2	x2	x2	x2	x2	x2	x2
 <p>ROPE CLIPS</p>	x2	x2	x2	x2	x2	x2	x2	x2
 <p>STEEL SCOOP</p>	N/A	N/A	N/A	x1	N/A	N/A	x1	x1
 <p>CARBON FUNNEL</p>	N/A	N/A	N/A	x1	N/A	N/A	x1	x1

CARBON FILTER

INSTALLATION

STEP 1

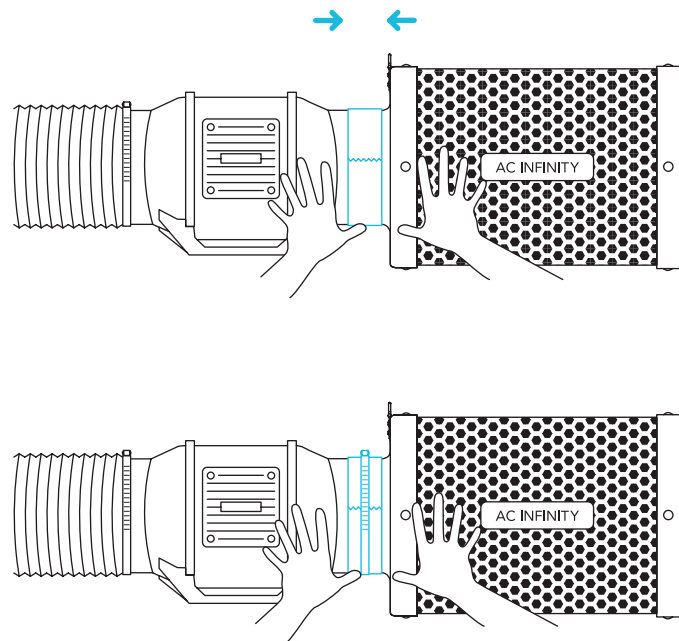
Connect your duct tube over your filter. Use duct clamps to secure the connection. You may also apply ducting tape before using the duct clamps for even further security.



STEP 2

You may also connect your filter directly to your inline duct fan. Use ducting tape to secure them together.

If your filter is placed in a humid space, position it at the highest point possible.

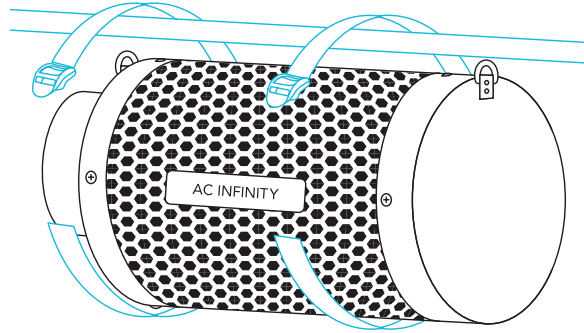


CARBON FILTER

OVERHEAD HANGING (STRAPS)

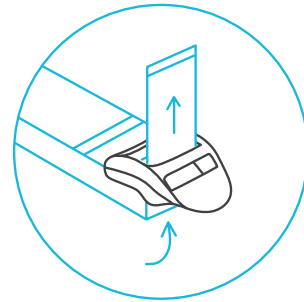
STEP 1

Loop the strap around a hanging pole.



STEP 2

Slip the strap through the inner ladder lock slot from the bottom.

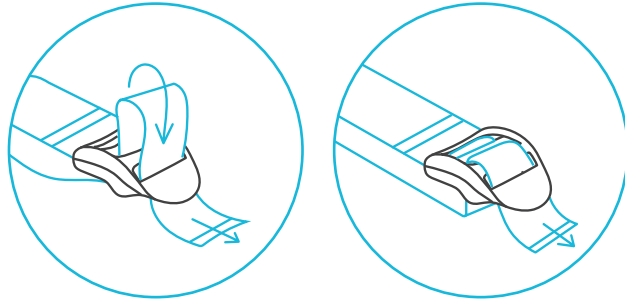


CARBON FILTER

OVERHEAD HANGING (STRAPS)

STEP 3

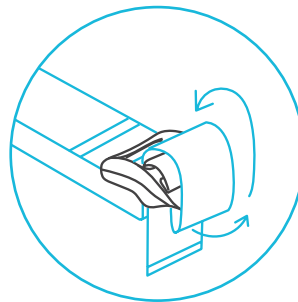
Route the strap into the outer ladder lock slot from the top. Adjust the length of the completed loop as needed.



Adjust to size

STEP 4

Tuck the loose ends through the center gap of the ladder lock to secure the loop.



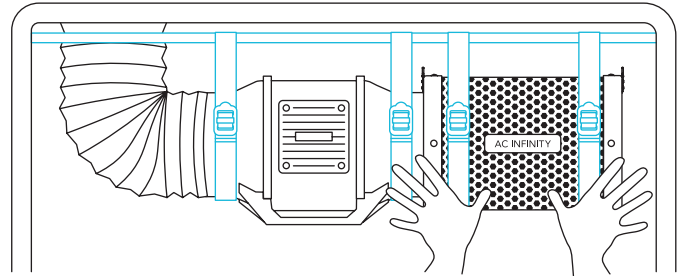
Loop through middle
to lock in place

CARBON FILTER

OVERHEAD HANGING (STRAPS)

STEP 5

Connect your filter to your ductwork using your preferred method, as shown on the Carbon Filter Installation page.

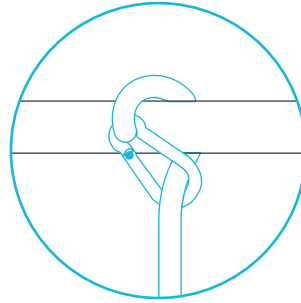


CARBON FILTER

OVERHEAD HANGING (ROPE CLIPS)

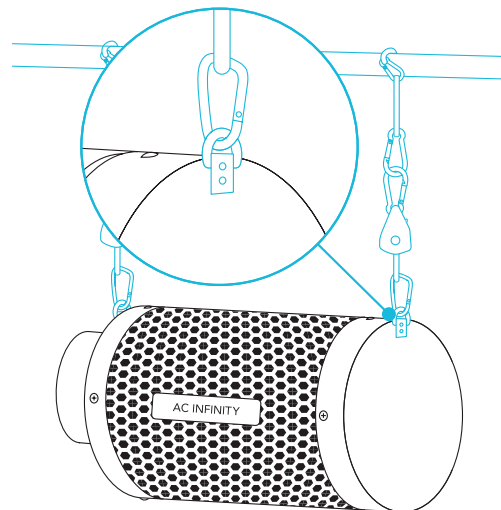
STEP 1

Loop the rope clip hangers around your grow tent's support beams.



STEP 2

Hook the carabiners into the steel hooks located on the flanges.



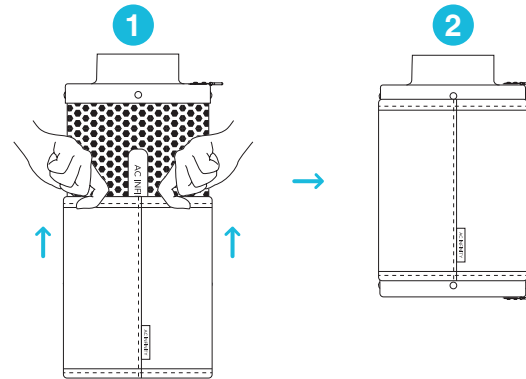
CARBON FILTER

CONFIGURATION SETUP

PREFILTER

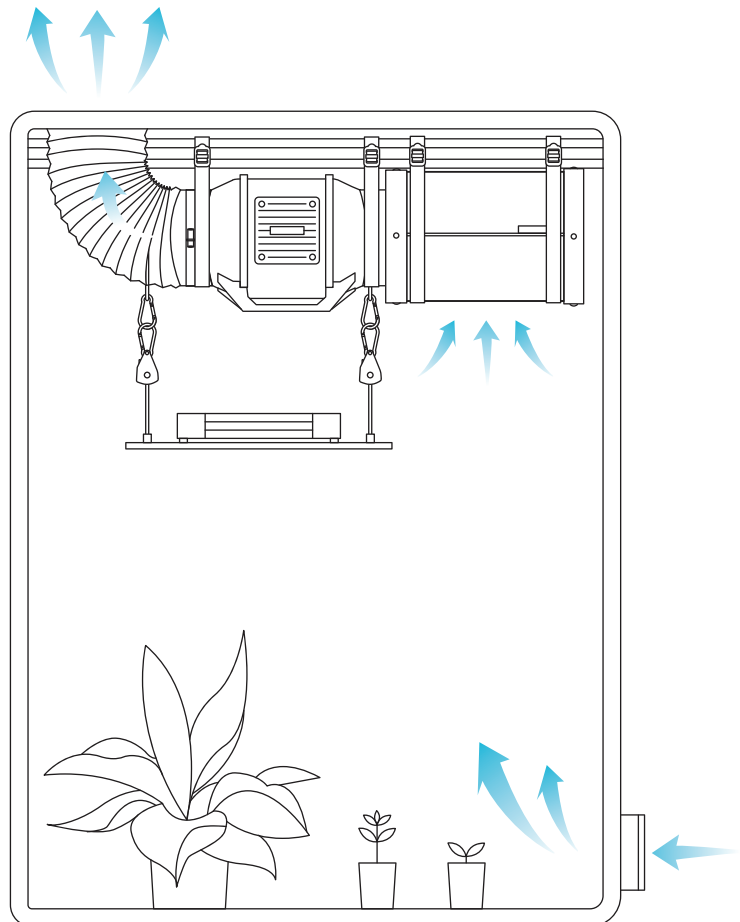
When placing your filter inside your grow space, slip the cloth over your filter to block dust and other particles from passing through.

Make sure the entire metal mesh is covered by the cloth.



INTERIOR HANGING

To use this filter in intake applications, place the filter inside your grow space. Make sure your filter is connected to your inline duct fan's intake end before completing the installation.

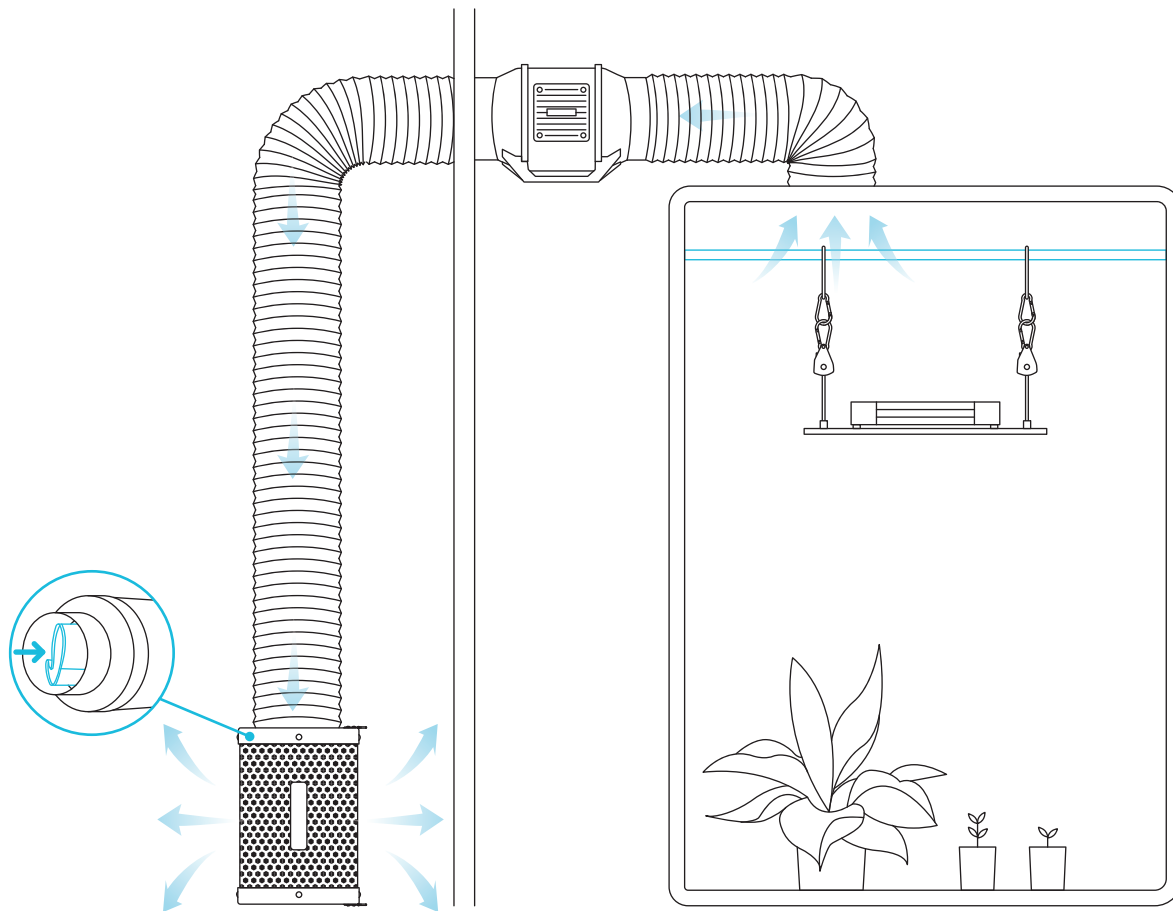


CARBON FILTER

CONFIGURATION SETUP

EXTERIOR MOUNTING

To use this filter in exhaust applications, place the filter outside of your grow space. Make sure your filter is connected to your inline duct fan's exhaust end before completing the installation. Stuff the prefilter inside of the filter to lengthen the carbon bed's lifespan.

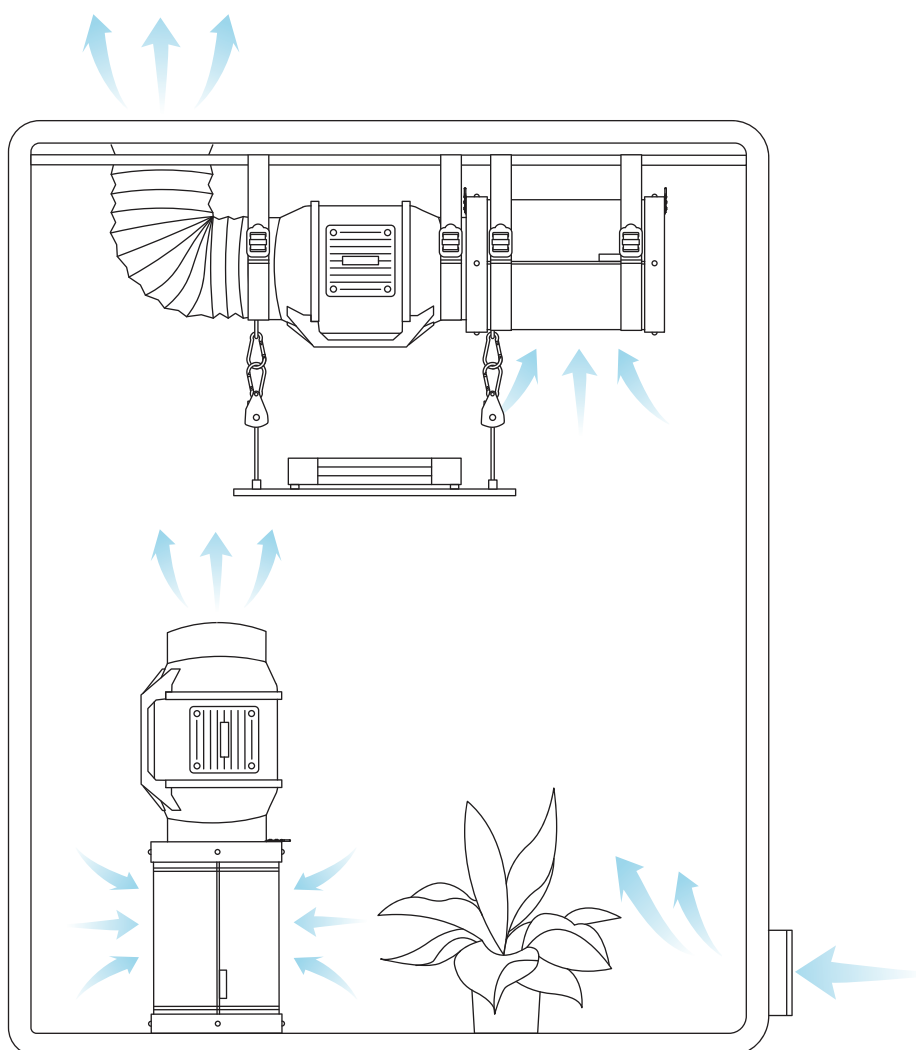


CARBON FILTER

CONFIGURATION SETUP

OVERSIZED GROW SPACE

Use a dual fan and filter combination inside your grow space to completely scrub away odor in larger grow rooms and tents. Set the secondary filter on the floor and the inline fan on top of it so that the exhaust end points up.

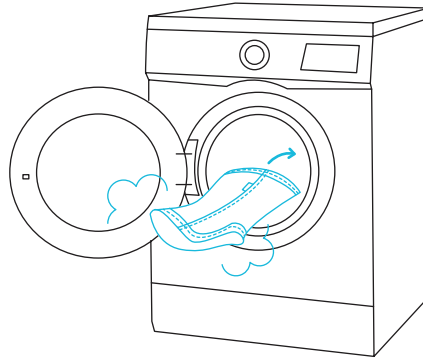


CARBON FILTER

MAINTENANCE

WASHING THE PREFILTER

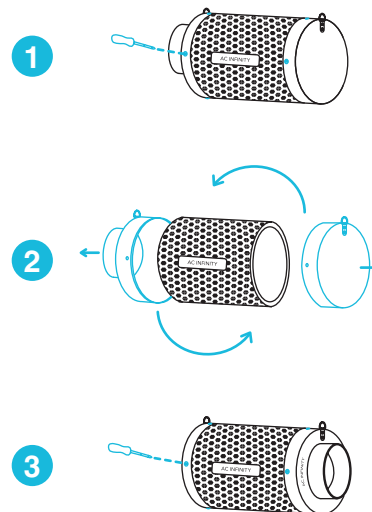
Wash the reusable cloth as needed to clear it of any dust and build-up. This will further extend the lifespan of the filter.



REVERSING THE FLANGES — STANDARD

To extend the filter's lifespan and utilize its entire carbon bed, rotate the flanges from either end.

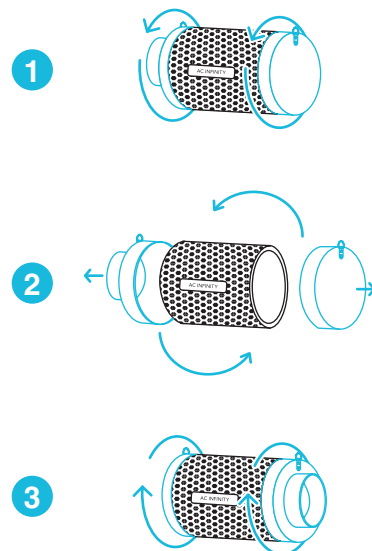
Remove the screws from the flanges to release them from the filter. Replace the flanges on the other ends and screw them back into place.



REVERSING THE FLANGES — REFILLABLE

To extend your filter's lifespan and utilize its entire carbon bed, remove the flanges from either end, swap them to the other ends, and twist them back into place.

Lay the filter horizontally when reversing the flanges. Ensure the stopper is in place to keep the carbon from spilling out.

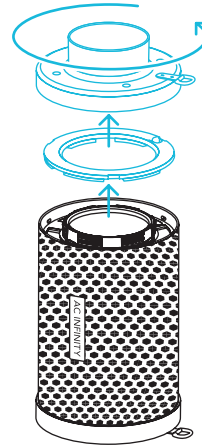


CARBON FILTER

REPLACING THE CARBON — PRO MODELS ONLY

STEP 1

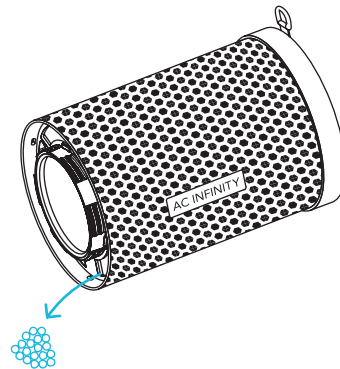
Rotate the port flange from your filter, then remove the rubber stopper from the interior.



STEP 2

Dispose of the used carbon.

Used carbon can be composted.

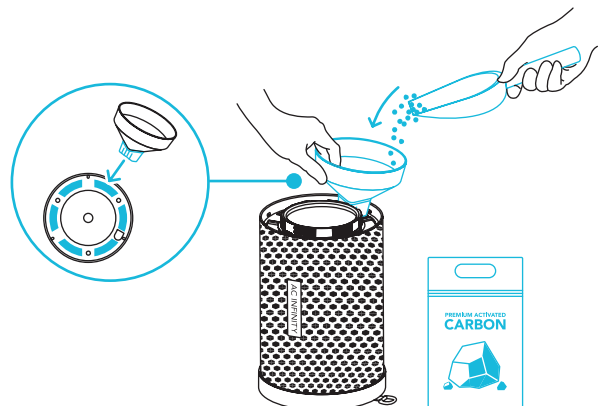


STEP 3

Place and direct the funnel into one of the openings and scoop the carbon refill (sold separately) into your filter.

Make sure to evenly distribute and firmly pack the activated carbon as you refill your filter.

Do not fill past the plastic barrier.

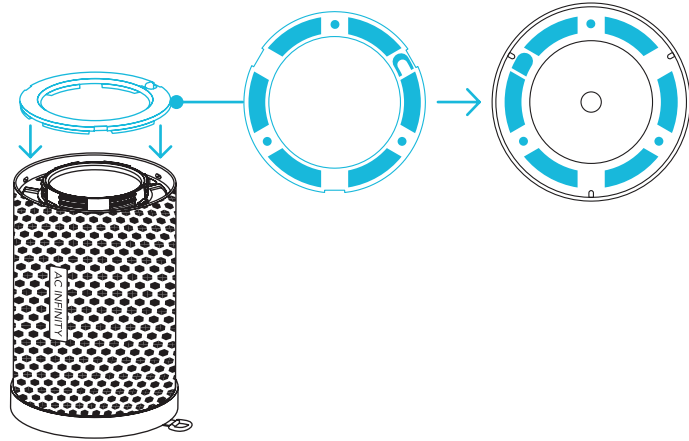


CARBON FILTER

REPLACING THE CARBON — PRO MODELS ONLY

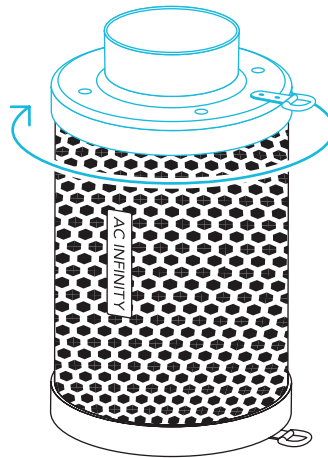
STEP 4

Set the rubber stopper into place, making sure to align the nodes with the corresponding holes.



STEP 5

Twist the flange back onto your filter.





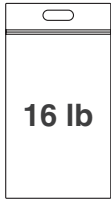
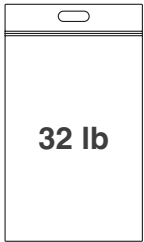
CARBON FILTER

CARBON REFILL GUIDE — PRO MODELS ONLY

RECOMMENDED REPLACEMENT

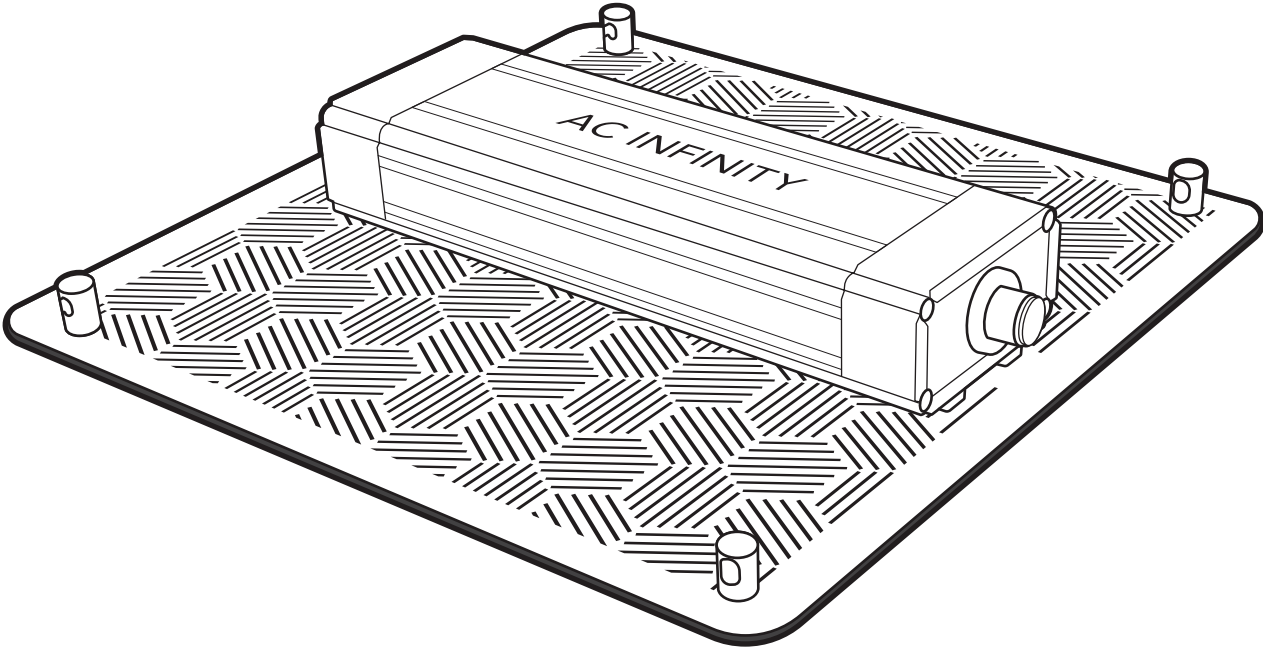
The chart below outlines the approximate number of refills each capacity can provide for your carbon filter.

How often you replace the activated carbon will depend on your use. We recommend keeping its carbon bed in place until you begin to smell odors.

	 4 lb AC-CAR4	 8 lb AC-CAR8	 16 lb AC-CAR16	 32 lb AC-CAR32
Refillable Carbon Filter 4" AC-RCF4	1+ REFILL	2+ REFILLS	4+ REFILLS	8+ REFILLS
Refillable Carbon Filter 6" AC-RCF6	N/A	1+ REFILL	2+ REFILLS	4+ REFILLS
Refillable Carbon Filter 8" AC-RCF8	N/A	N/A	1+ REFILL	2+ REFILLS

IONBOARD / IONFRAME EVO

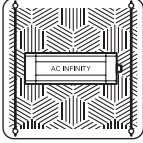

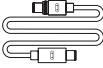
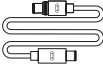

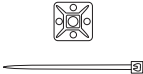
GROW LIGHT SYSTEM



IONBOARD S22 shown


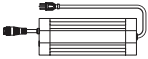




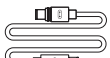


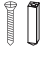


GROW LIGHT SYSTEM

PRODUCT CONTENTS: IONBOARD

	AI-Powered Grow System COMPACT (2x2) AC-PKA22	AI-Powered Grow System (2x2) AC-PKB22	AI-Powered Grow System (2x4) AC-PKB24	AI-Powered Grow System (3x3) AC-PKB33	AI-Powered Grow System (4x4) AC-PKB44
 <p>LED GROW LIGHT</p>	IONBOARD S22, 2x2 Coverage x1	IONBOARD S22, 2x2 Coverage x1	IONBOARD S24, 2x4 Coverage x1	IONBOARD S33, 3x3 Coverage x1	IONBOARD S44, 4x4 Coverage x1
 <p>ROPE CLIP HANGERS</p>	x2	x2	x2	x2	x2
 <p>CONTROLLER CORD, 2 FT.</p>	UIS Male-Male Controller Cord x1	UIS Male-Male Controller Cord x1	UIS Male-Male Controller Cord x1	UIS Male-Male Controller Cord x1	UIS Male-Male Controller Cord x1
 <p>CONTROLLER CORD, 10 FT.</p>	UIS Male-Male Controller Cord x1	UIS Male-Male Controller Cord x1	UIS Male-Male Controller Cord x1	UIS Male-Male Controller Cord x1	UIS Male-Male Controller Cord x1
 <p>HANGING HOOK</p>	x2	x2	x2	x2	x2
 <p>WIRE TIE WITH 3M BASE</p>	x1	x1	x1	x1	x1

GROW LIGHT SYSTEM

PRODUCT CONTENTS: IONFRAME EVO

	AC INFINITY x ATHENA, AI-Powered Grow System (2x4) AC-PKN24	AI-Powered Grow System PRO (4x4) AC-PKC44	AI-Powered Grow System PRO (5x5) AC-PKB55
 LED GROW LIGHT*	IONFRAME EVO3, 2x4 Coverage x1	IONFRAME EVO6, 4x4 Coverage x1	IONFRAME EVO8, 5x5 Coverage x1
 LED DRIVER	x1	x1	x1
 DRIVER BRACKETS	x2	x2	x2
 DRIVER EXTENSION CORD	x1	x1	x1
 STAINLESS STEEL WIRE HANGERS	x2	x2	x2
 ROPE CLIP HANGERS	x2	x2	x2
 CONTROLLER CORD	UIS Male-Male Controller Cord x1	UIS Male-Male Controller Cord x1	UIS Male-Male Controller Cord x1
 WIRE TIE WITH 3M BASE	x1	x1	x1
 NYLON SCREWS	x6	x6	x6
 WOOD SCREWS	x4	x4	x4
 DRIVER SCREWS (FLAT HEAD)	x4	x4	x4
 DRIVER SCREWS (ROUND HEAD)	x4	x4	x4

*IONFRAME EVO8 shown

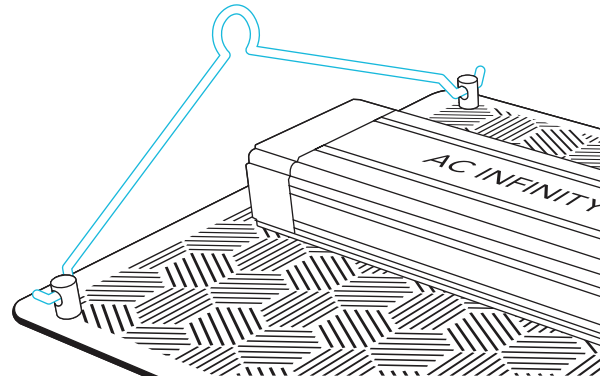


GROW LIGHT SYSTEM

INSTALLATION: IONBOARD

STEP 1 — STEEL HOOKS

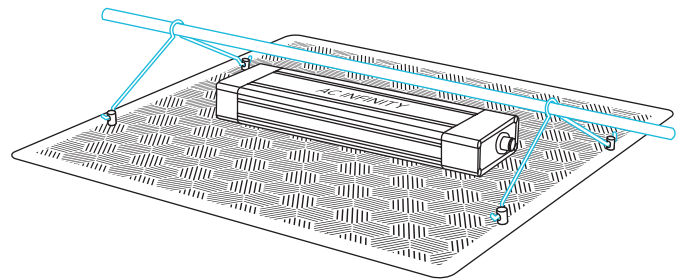
Insert the steel hooks into your grow light's slotted holes of the end caps.



STEP 2 — STEEL HOOKS

Position your grow tent's pole under the steel hooks. Install the pole onto your grow tent's frame.

Two people are recommended for the installation of IONBOARD S33 / S44 models.

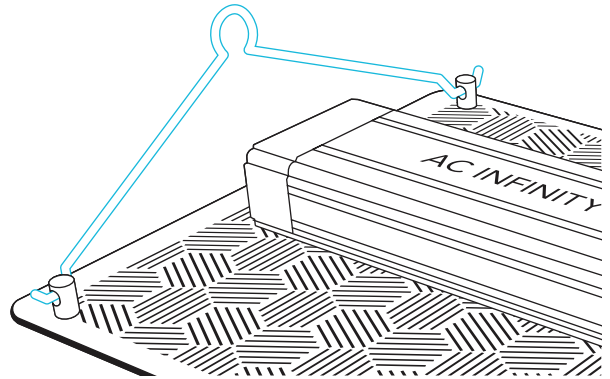


GROW LIGHT SYSTEM

INSTALLATION: IONBOARD

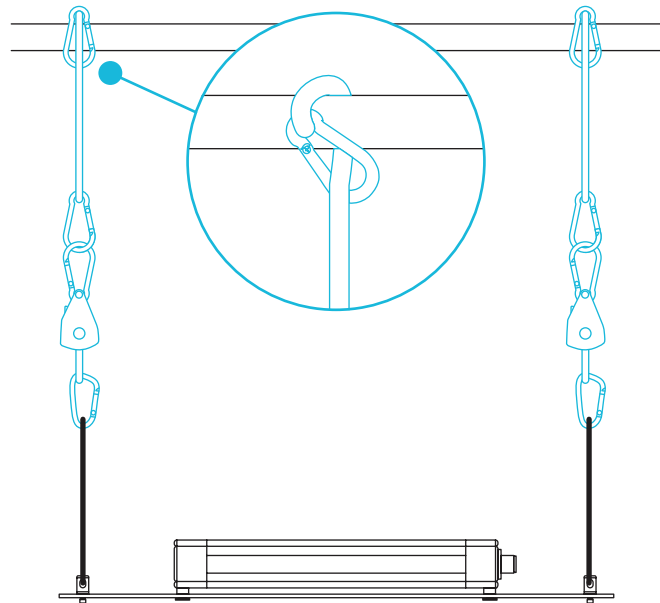
STEP 1 — ROPE CLIP HANGERS

Insert the steel hooks into your grow light's slotted holes of the end caps.



STEP 2 — ROPE CLIP HANGERS

Loop the rope clip hangers around your grow tent's support beams. Hook the carabiners into the steel hooks.



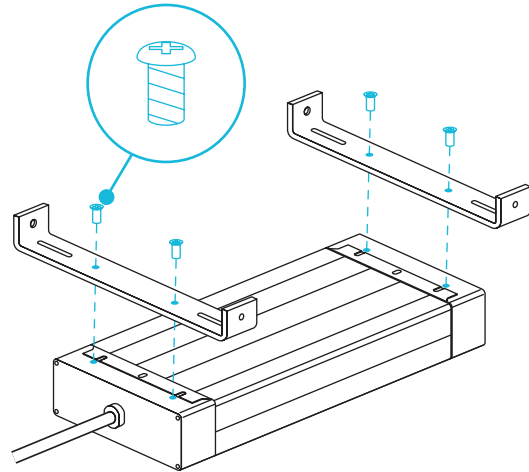
GROW LIGHT SYSTEM

DRIVER MOUNTING (FRAME): IONFRAME EVO

STEP 1

Align the brackets' mounting holes with the driver's mounting points located on the driver's underside, making sure the brackets' legs are pointing up.

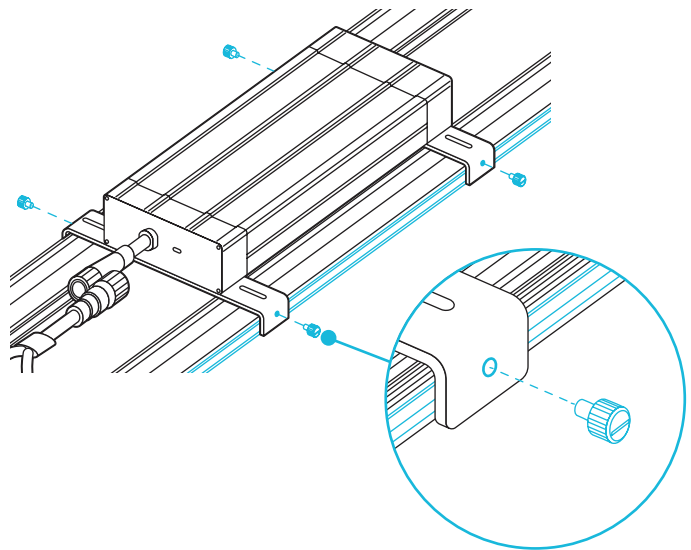
Secure the brackets by screwing in the round head driver screws using a Phillips screwdriver.



STEP 2

Flip the driver over and place it over the two center columns of your grow light.

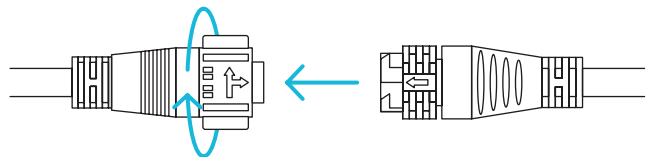
Secure the brackets to the columns by screwing in the nylon screws using a flathead screwdriver.



STEP 3

Connect the driver socket to the grow light connector. This will lock the connection in place.

Twist the lock and pull the connector out to disconnect it from the driver's socket.



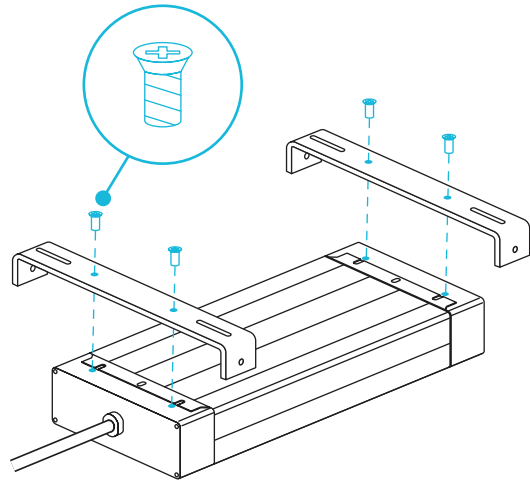
GROW LIGHT SYSTEM

DRIVER MOUNTING (WALL): IONFRAME EVO

STEP 1

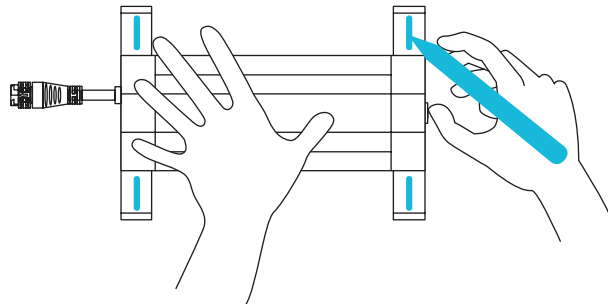
Align the brackets' mounting holes with the driver's mounting points located on the driver's underside, making sure the brackets' legs are pointing down.

Secure the brackets by screwing in the flat head driver screws using a Phillips screwdriver.



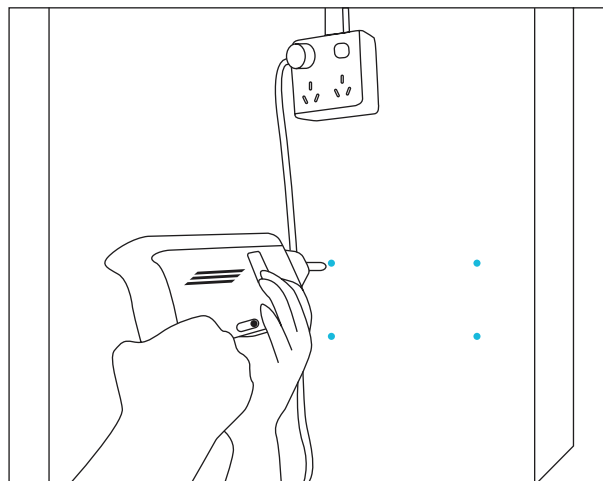
STEP 2

Mark your desired mounting position using the brackets' mounting slots.



STEP 3

Drill four holes into the marked locations. Make sure your mounting area is structurally sound and free from obstruction.



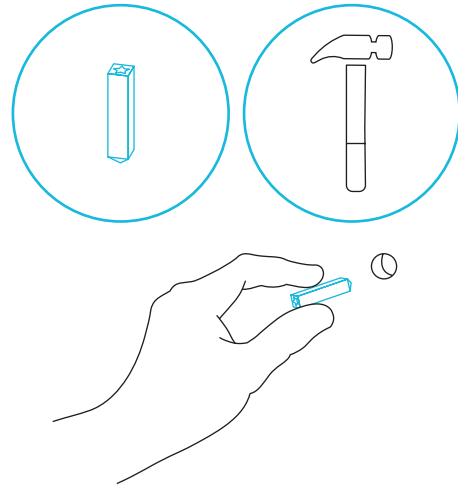
GROW LIGHT SYSTEM

DRIVER MOUNTING (WALL): IONFRAME EVO

STEP 4

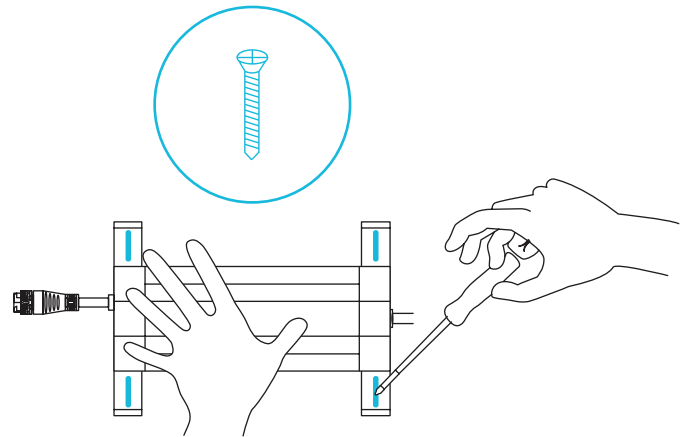
If you are mounting onto anything other than a wood support or stud, insert the included four wall anchors into the drilled mounting holes.

You may need to use a hammer to secure them through the holes.



STEP 5

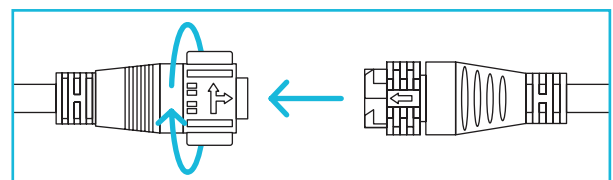
Align the bracket's holes with the wall anchors. Screw in four wood screws with a screwdriver or drill to secure the brackets.



STEP 6

Connect the driver socket to the grow light connector using the driver extension cord.

Twist the lock and pull the connector to disconnect it from the driver's socket.

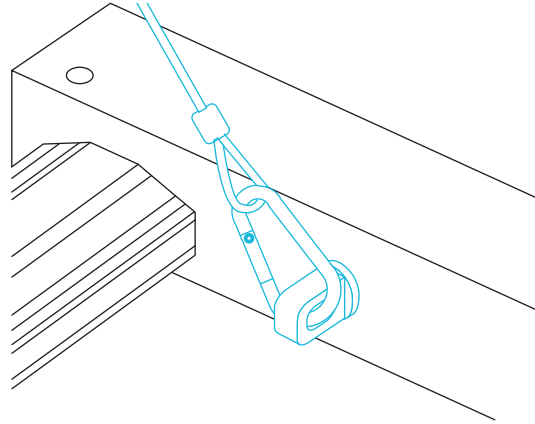


GROW LIGHT SYSTEM

HANGING: IONFRAME EVO

STEP 1

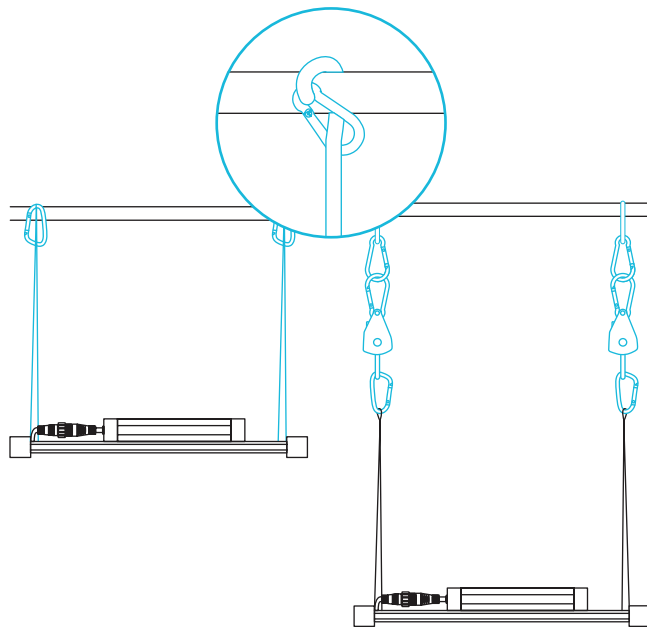
Clip the lanyard hooks onto the four anchors located at the corners of your grow light.



STEP 2

Clip the two carabiners onto your grow tent's roof support beams.

You may also use rope clip hangers to hang your grow light lower.

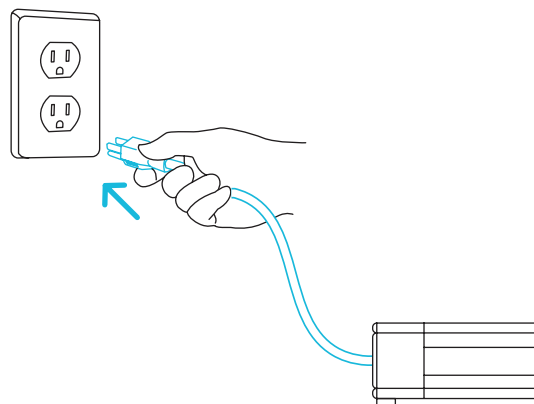


GROW LIGHT SYSTEM

POWERING AND SETUP: IONBOARD

STEP 1

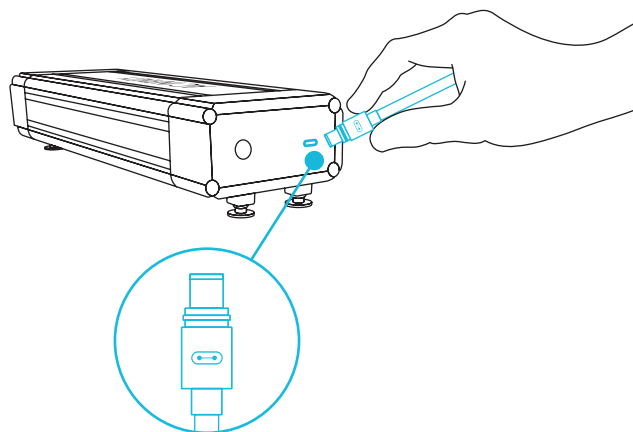
Plug the power cord into an AC power outlet to power your grow light.



STEP 2

You may use the included UIS M-M extension cord to connect an external controller for smart programming.

Plug the UIS connector with the gasket end into the LED driver, and the other end into your chosen controller. The gasket is specially designed to protect against liquids and dust.

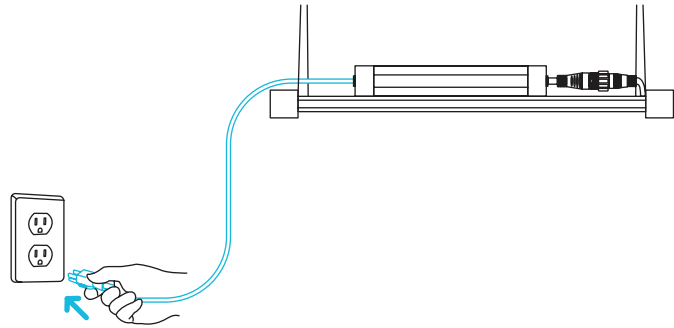


GROW LIGHT SYSTEM

POWERING AND SETUP: IONFRAME EVO

STEP 1

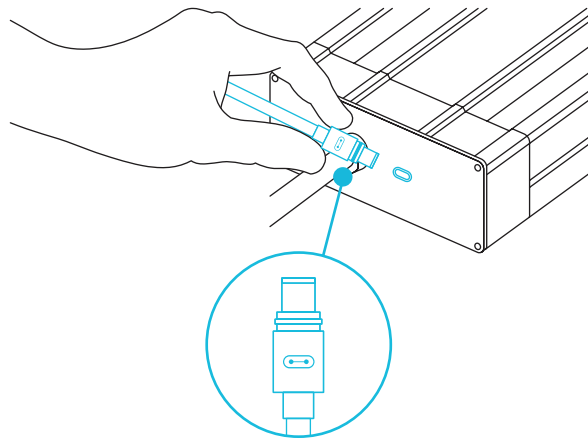
Plug the power cord into an AC power outlet to power your grow light.



STEP 2

You may use the included UIS M-M extension cord to connect an external controller for smart programming.

Plug the UIS connector with the gasket end into the LED driver, and the other end into your chosen controller. The gasket is specially designed to protect against liquids and dust.

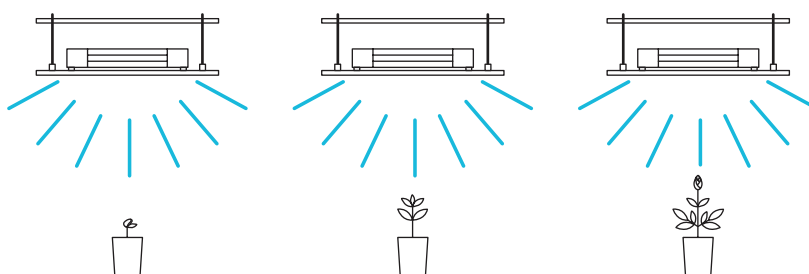


GROW LIGHT SYSTEM

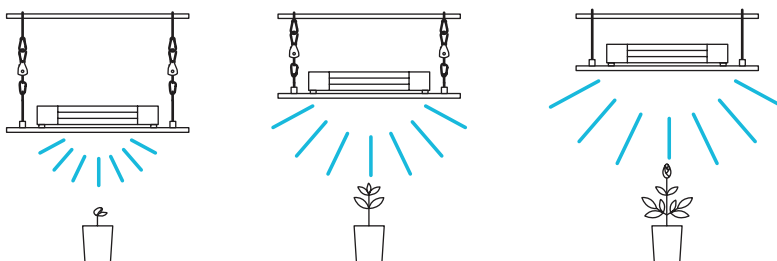
STARTER GUIDE

The charts below offer suggested mounting heights and light intensities for each stage in the growing process of your preferred method. These factors will vary based on the plant you are growing. In dynamic placement, “height” refers to distance from the canopy (tip of the plant).

STATIC PLACEMENT	Seedling Stage	Vegetative Stage	Flowering Stage
Height	Peak	Peak	Peak
Intensity	100%	100%	100%



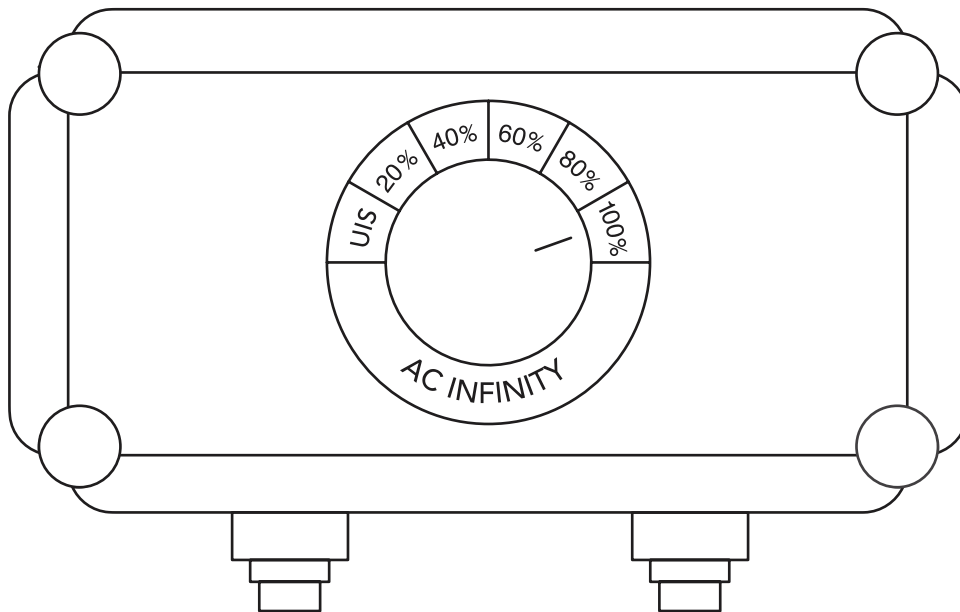
DYNAMIC PLACEMENT	Seedling Stage	Vegetative Stage	Flowering Stage
Height	1.5 ft.	1.5 ft.	1.5 ft.
Intensity	40%	80%	100%



IONBOARD shown

GROW LIGHT SYSTEM

PROGRAMMING: IONBOARD



OFF/ON MODE

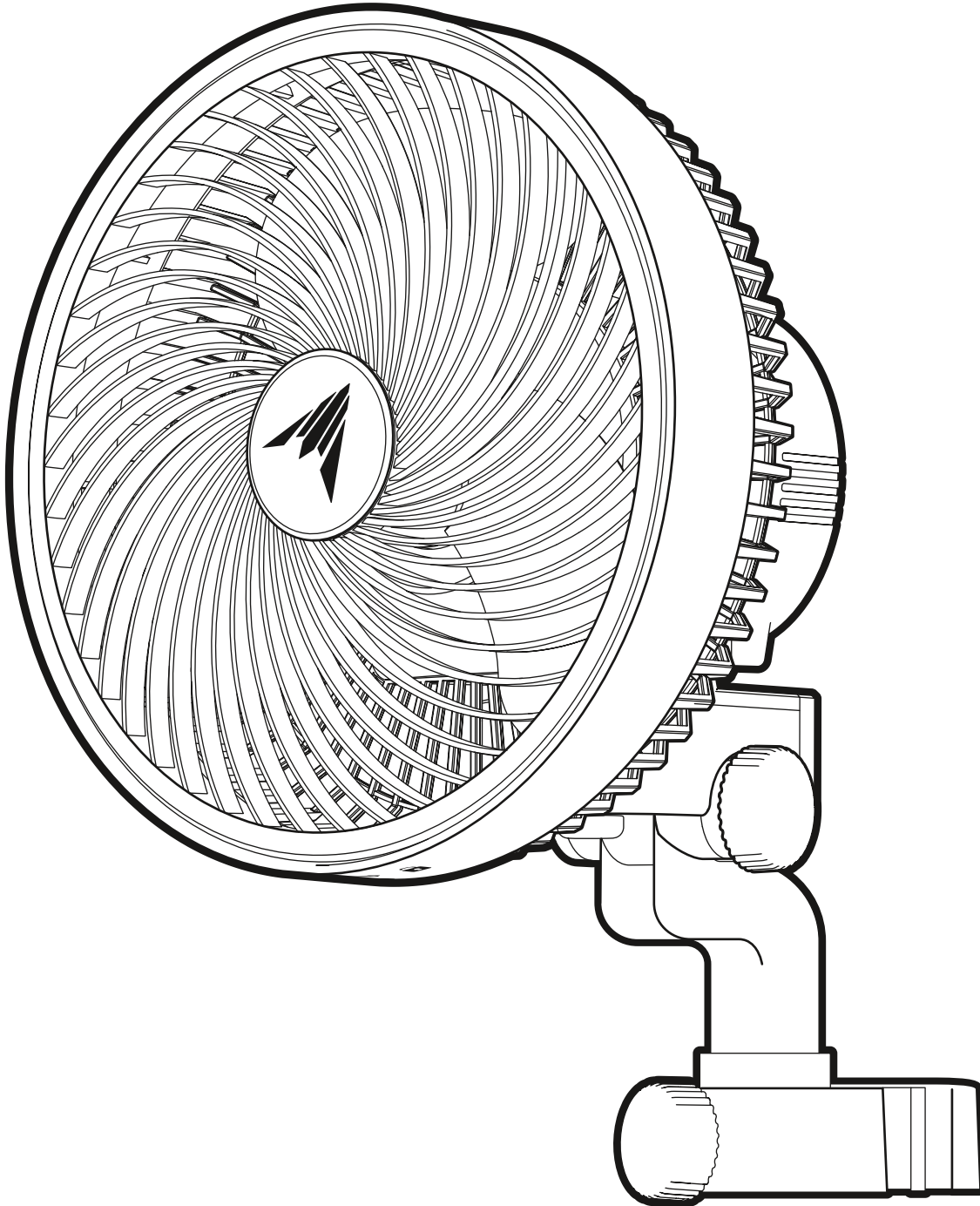
Turning the knob to UIS switches the grow light off, or passes control over to your smart controller if one is connected.

INTENSITY LEVEL

Turning the knob from UIS will establish a set light intensity level in 20% increments, up to 100%.

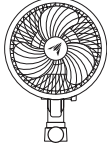
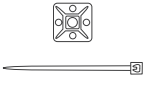
CLOUDRAY

OSCILLATING FAN SYSTEM



CLOUDRAY

PRODUCT CONTENTS

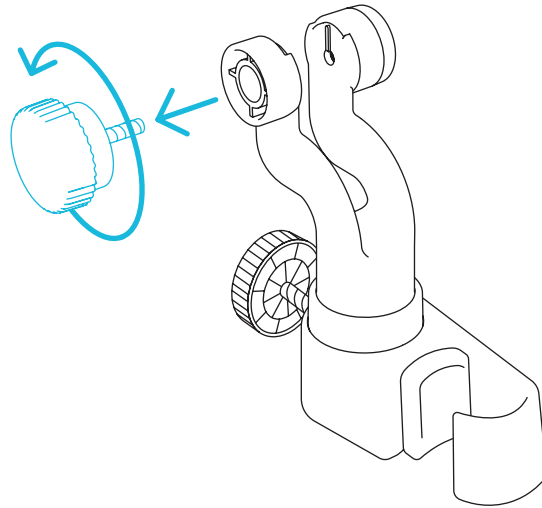
	AI-Powered Grow System COMPACT (2x2) AC-PKA22	AI-Powered Grow System (2x2) AC-PKB22	AI-Powered Grow System (2x4) AC-PKB24	AC INFINITY x ATHENA, AI-Powered Grow System (2x4) AC-PKN24	AI-Powered Grow System (3x3) AC-PKB33	AI-Powered Grow System (4x4) AC-PKB44	AI-Powered Grow System PRO (4x4) AC-PKC44	AI-Powered Grow System PRO (5x5) AC-PKB55
 CLIP-ON FAN	CLOUDRAY S6, Oscillating Clip Fan x1	CLOUDRAY S6, Oscillating Clip Fan x1	CLOUDRAY S6, Oscillating Clip Fan x1	CLOUDRAY S6, Oscillating Clip Fan x1	CLOUDRAY S6, Oscillating Clip Fan x1	CLOUDRAY S6, Oscillating Clip Fans x2	CLOUDRAY S6, Oscillating Clip Fans x2	CLOUDRAY S6, Oscillating Clip Fans x2
 WIRE TIE WITH 3M BASE	x1	x1	x1	x1	x1	x2	x2	x2
 CONTROLLER CORD	UIS Male-Male Controller Cord x1	UIS Male-Male Controller Cord x1	UIS Male-Male Controller Cord x1	UIS Male-Male Controller Cord x1	UIS Male-Male Controller Cord x1	UIS Male-Male Controller Cord x2	UIS Male-Male Controller Cord x2	UIS Male-Male Controller Cord x2

CLOUDRAY

INSTALLATION

STEP 1

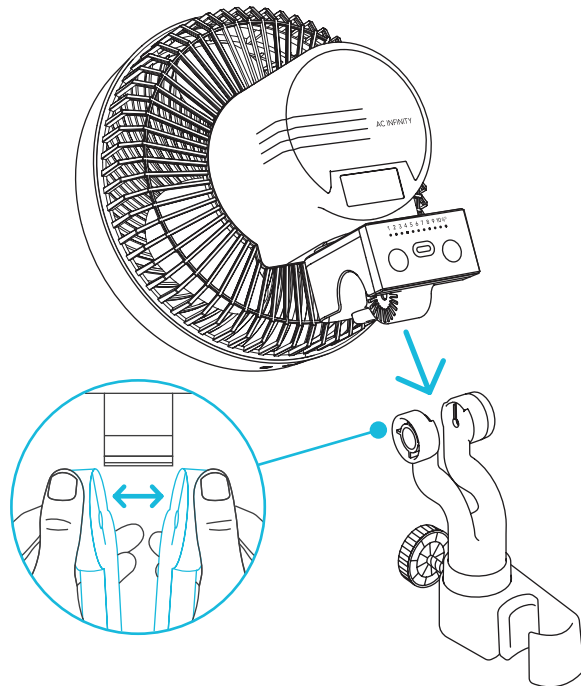
Twist to remove the knob piece from the grip clip.



STEP 2

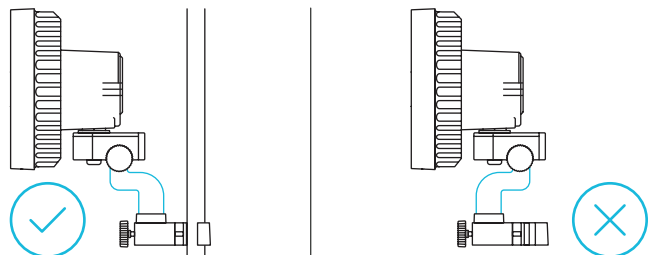
Slide the grip clip into the swivel as shown.

You may need to pull its clamps apart for it to fit over the swivel. This tightness ensures your fan will not tilt downwards on its own.



INSTALLATION NOTE

DO NOT alter the grip clip's neck positioning before connecting it to the swivel. The neck is packaged in the proper position so that your fan will not hit the tent pole.

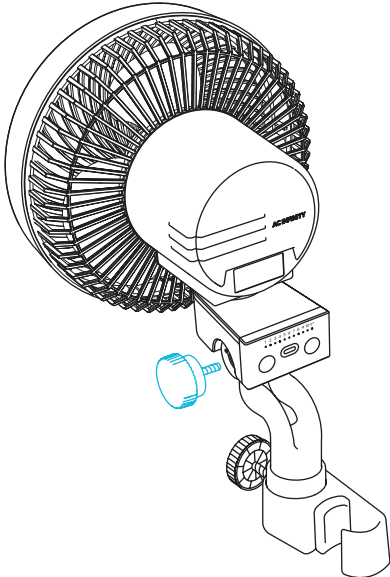


CLOUDRAY

INSTALLATION

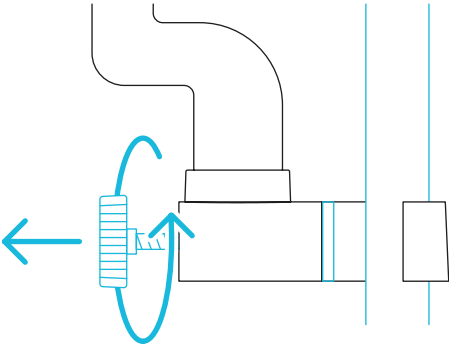
STEP 3

Replace the knob of the mounting point as desired.



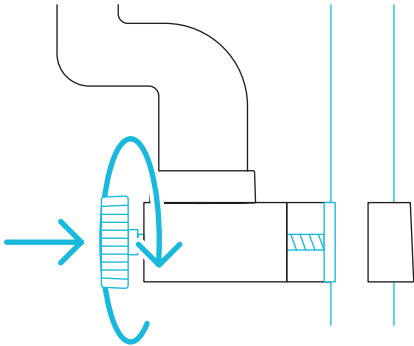
STEP 4

Loosen the grip to fit around your grow tent pole.



STEP 5

Tighten the grip to fit securely around your tent pole.



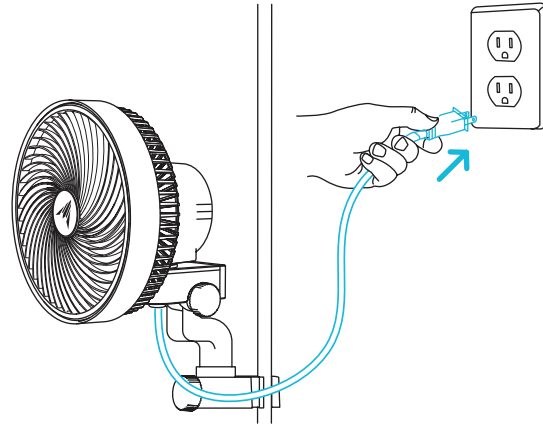
CLOUDRAY

POWERING AND SETUP

STEP 1

Plug the fan's power cord into an AC power outlet to power the fan.

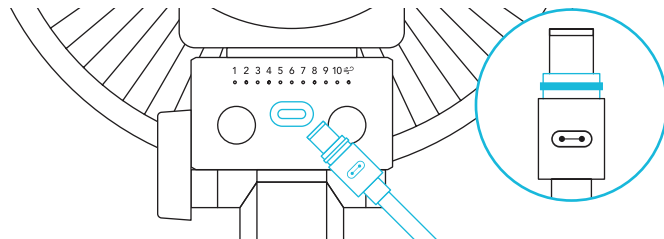
Plug the fan into the closest AC outlet to allow for cable slack and avoid cable tension.



STEP 2

Plug the UIS connector with the gasket end into your clip fan. The gasket is specially designed to protect against liquids and dust.

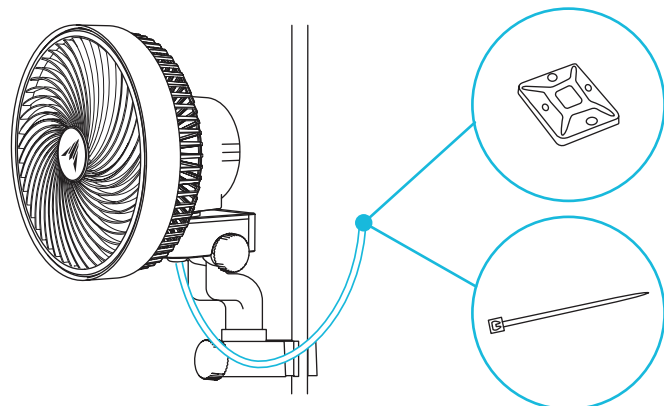
Plug the standard UIS connector into one of the controller's ports.



STEP 3

You may manage the cords using the included cable ties or cable mounting set.

Adhere the tie mount onto a clean surface. Loop the wire tie into the mount and around the cables.

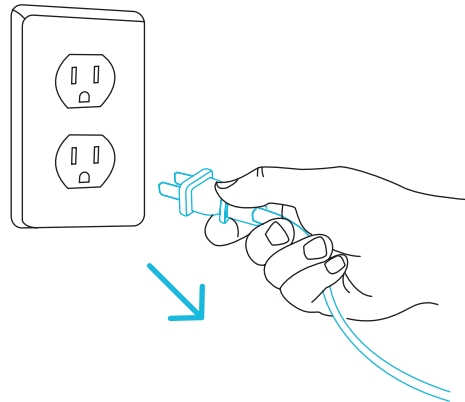


CLOUDRAY

CLEANING

STEP 1

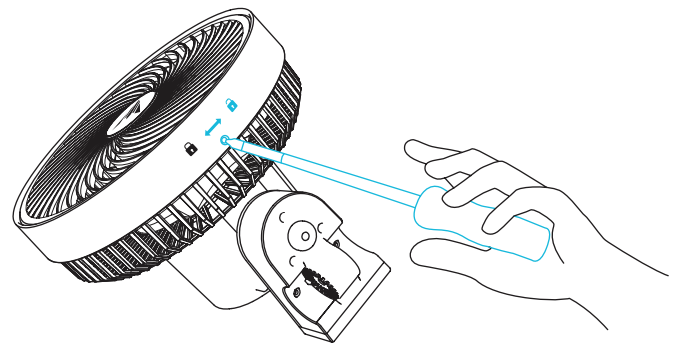
Unplug your clip fan.



STEP 2

Unscrew the bottom of the front grille using a screwdriver.

Removing the front grille to clean the fan blades will not void your warranty.

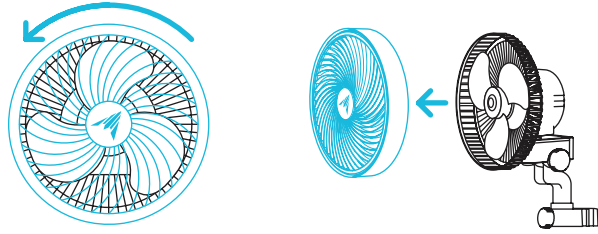


CLOUDRAY

CLEANING

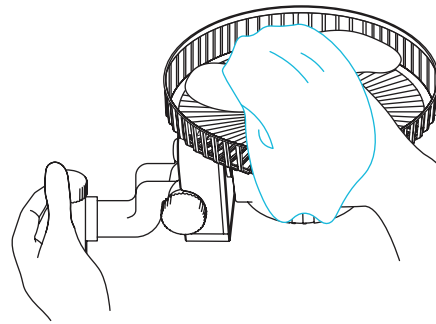
STEP 3

Twist the grille counter-clockwise and pull to remove it.



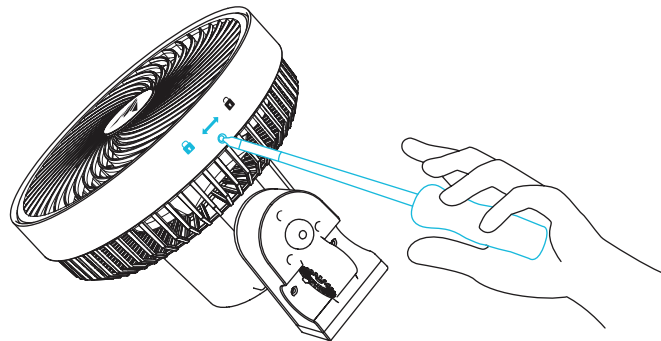
STEP 4

Wipe off any dust and debris from the grille and fan blades using a damp cloth. Set aside to dry as needed.



STEP 5

Realign the grille over your clip fan, twist clockwise, then screw the grille back on to lock it in place.

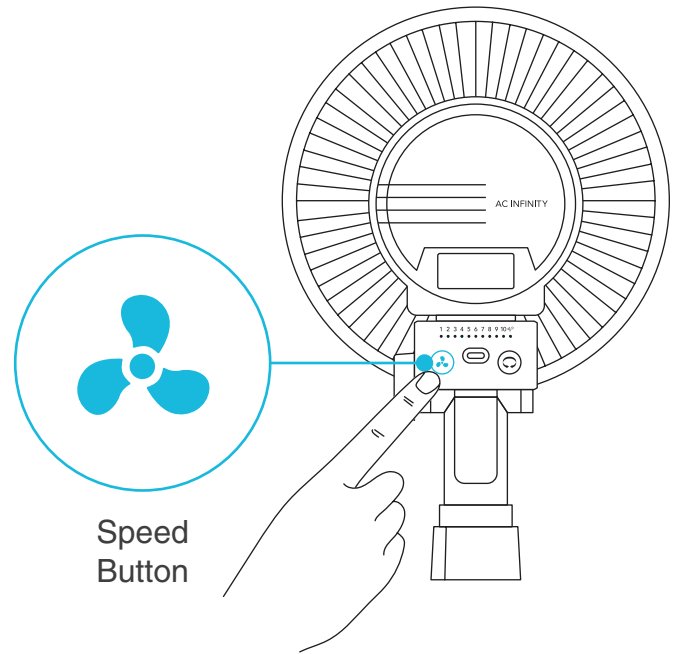


CLOUDRAY

PROGRAMMING

POWERING ON/OFF

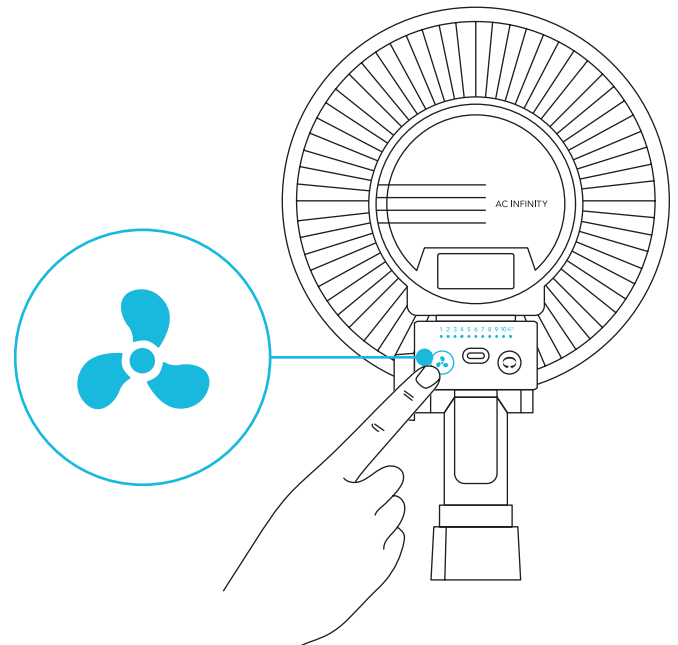
Press the speed button to turn your clip fan ON. Cycling past Dynamic Wind Mode will turn your clip fan OFF.



FAN SPEED ADJUSTING

The speed button cycles through OFF, fan speeds 1-10, indicated by the row of white LED lights. Press the speed button to increase the fan speed level by one.

Cycling past speed 10 will activate Dynamic Wind Mode. Cycling past that will return to fan speed level 0.



CLOUDRAY

PROGRAMMING

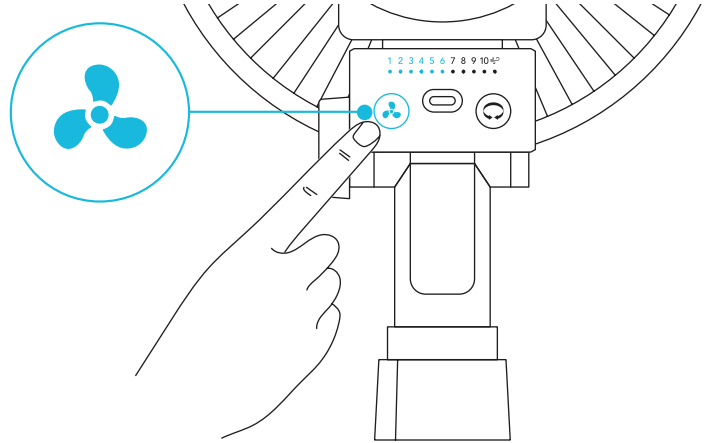
DYNAMIC WIND MODE

This mode will alternate speeds between levels 1-10 to simulate a natural breeze.

STEP 1

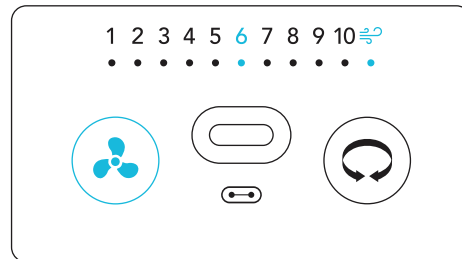
Set the fan speed to your desired maximum level using the speed button.

We do not recommend setting your max speed level to level 1; this will eliminate the speed range.



STEP 2

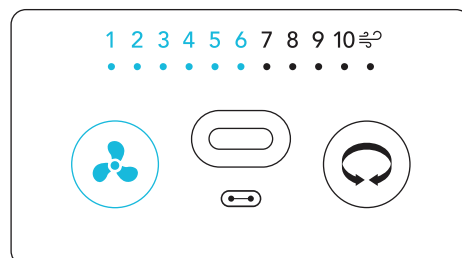
Hold the speed button for 3 or more seconds to enter Dynamic Wind Mode. This will also lock in your current fan speed as the maximum level.



STEP 3

Deactivate max Dynamic Wind Mode by pressing the speed button.

Your clip fan will continue running at your maximum level until you adjust it.



CLOUDRAY

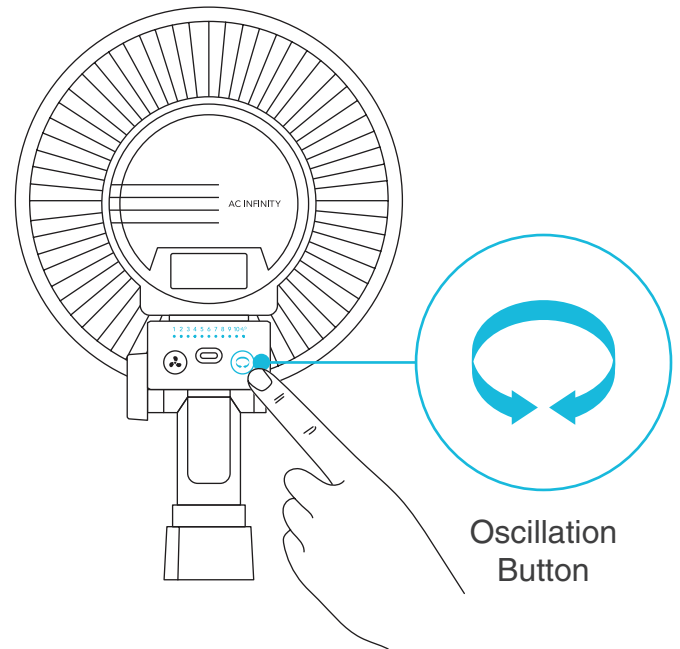
PROGRAMMING

OSCILLATION

In addition to the standard features, your fan can oscillate to provide airflow at a wide angle. The oscillation function is manually activated using the oscillation button and cannot be controlled using external UIS programming.

If set to OFF, your clip fan will not oscillate regardless of any external programs.

If set to ON, oscillation will automatically start if the external program activates your clip fan to turn ON. Oscillation will then automatically stop if the external program deactivates your clip fan to turn OFF.

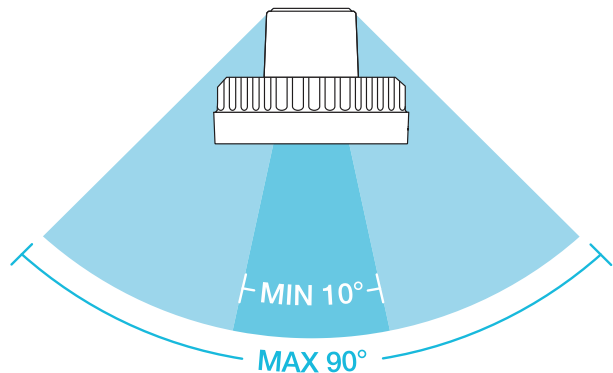


ADJUSTING OSCILLATION RANGE

The oscillation button cycles through oscillation levels 0-10 with a maximum 90° angle range. This will ensure that your clip fan will not come into contact with your grow tent while still enabling you to adjust the focus of circulation.

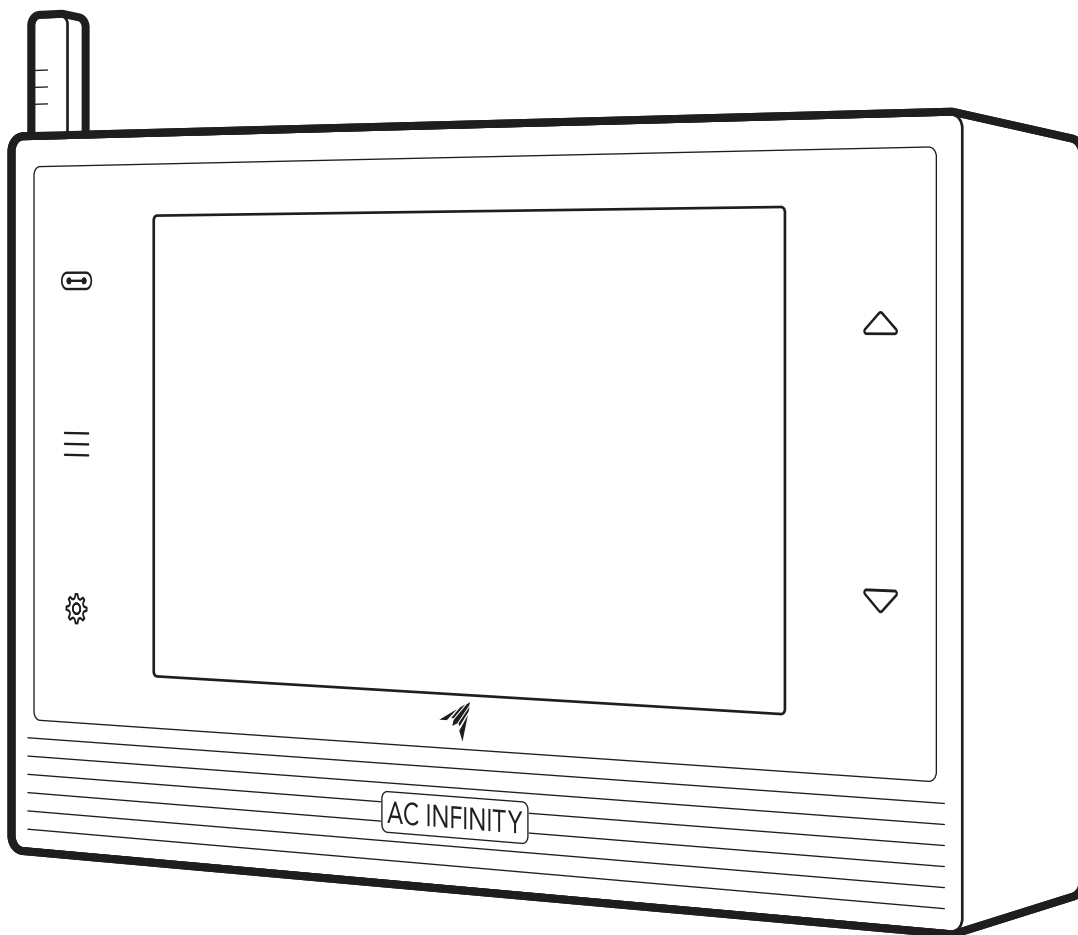
Press the oscillation button to increase how wide the fan will oscillate by one level. These levels are indicated by the orange row of LED lights.

Pressing the button past speed 10 will return to level 0.



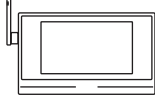

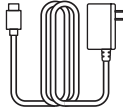

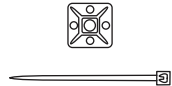
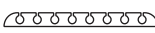
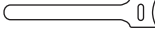
CONTROLLER AI+

AI-POWERED ENVIRONMENTAL CONTROLLER



CONTROLLER AI+

PRODUCT CONTENTS

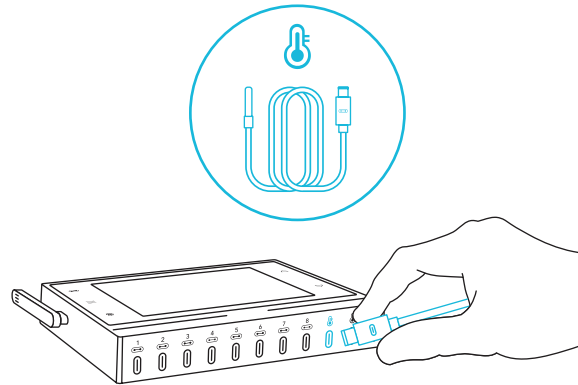
	AI-Powered Grow System COMPACT (2x2) AC-PKA22	AI-Powered Grow System (2x2) AC-PKB22	AI-Powered Grow System (2x4) AC-PKB24	AC INFINITY x ATHENA, AI-Powered Grow System (2x4) AC-PKN24	AI-Powered Grow System (3x3) AC-PKB33	AI-Powered Grow System (4x4) AC-PKB44	AI-Powered Grow System PRO (4x4) AC-PKC44	AI-Powered Grow System PRO (5x5) AC-PKB55
 <p>GROW TENT CONTROLLER</p>	CONTROLLER AI+, 8 Ports x1	CONTROLLER AI+, 8 Ports x1	CONTROLLER AI+, 8 Ports x1	CONTROLLER AI+, 8 Ports x1	CONTROLLER AI+, 8 Ports x1	CONTROLLER AI+, 8 Ports x1	CONTROLLER AI+, 8 Ports x1	CONTROLLER AI+, 8 Ports x1
 <p>TEMPERATURE AND HUMIDITY SENSOR PROBE</p>	x1	x1	x1	x1	x1	x1	x1	x1
 <p>POWER ADAPTER</p>	x1	x1	x1	x1	x1	x1	x1	x1
 <p>CONTROLLER MOUNTING SCREWS WITH PLASTIC ANCHOR</p>	x2	x2	x2	x2	x2	x2	x2	x2
 <p>WIRE TIE WITH 3M BASE</p>	x1	x1	x1	x1	x1	x1	x1	x1
 <p>CABLE DOCK</p>	x1	x1	x1	x1	x1	x1	x1	x1
 <p>HOOK AND LOOP TIES</p>	x2	x2	x2	x2	x2	x2	x2	x2

CONTROLLER AI+

POWERING AND SETUP

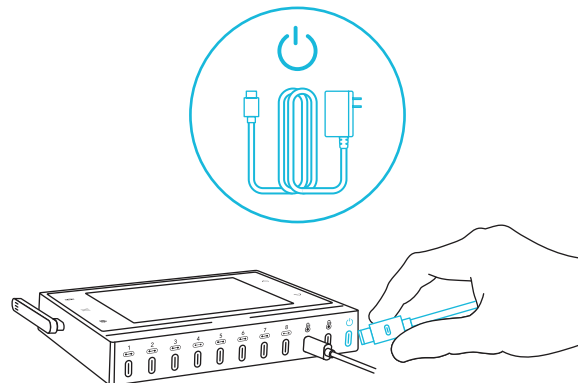
STEP 1

Plug the sensor probe into the controller's sensor port. Set the probe near your plants in your grow tent for the most accurate reading.



STEP 2

Plug your the power adapter's UIS connector into the controller's power port. Plug the two-prong connector to an AC power outlet to power the controller.



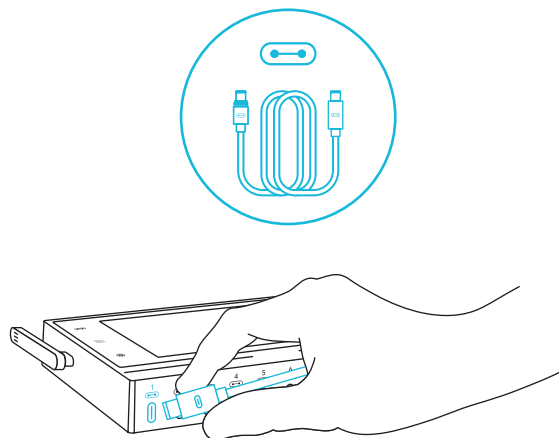
CONTROLLER AI+

POWERING AND SETUP

STEP 3

Use the included UIS M-M extension cord to connect your device's UIS connector into one of the controller's ports. Plug the device's power cord into an AC power outlet to power it.

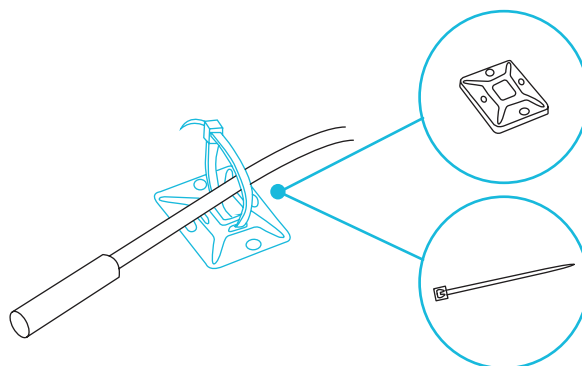
Plug the UIS connector with the gasket end into your grow device and the other end into your controller. The gasket is specially designed to protect against liquids and dust.



STEP 4

You may use the included tie mounts, wood screws, and wire ties to manage the cords.

Secure the tie mounts onto a surface using the wood screws. Loop the wire ties around the cords into the tie mounts.

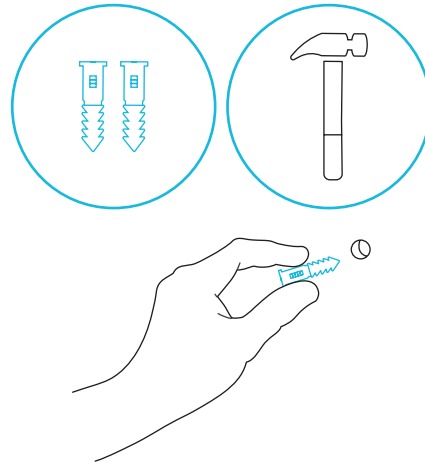


CONTROLLER AI+

MOUNTING

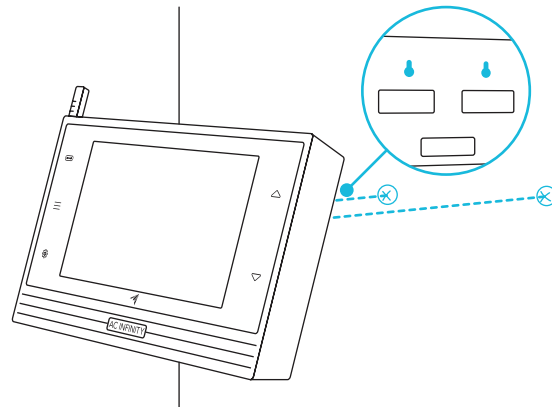
STEP 1 — WALL MOUNTING

Locate a spot free of obstruction and secure the anchors into your wall. Twist the wood screws into the anchors.



STEP 2 — WALL MOUNTING

Hang the controller by the screws using the holes on the backside.



CONTROLLER AI+

MOUNTING

MAGNET MOUNTING

You may also mount the controller onto a steel surface using the magnet located behind the label.

Set your controller outside your grow tent so the onboard sensor can gather external climate readings.

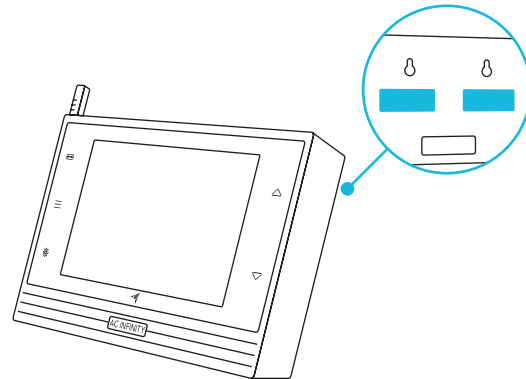
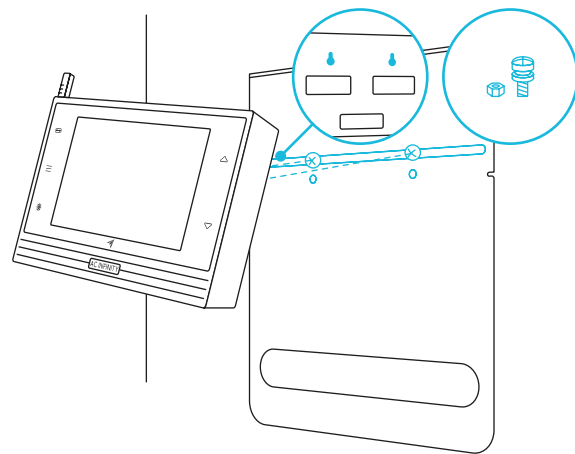


PLATE MOUNTING

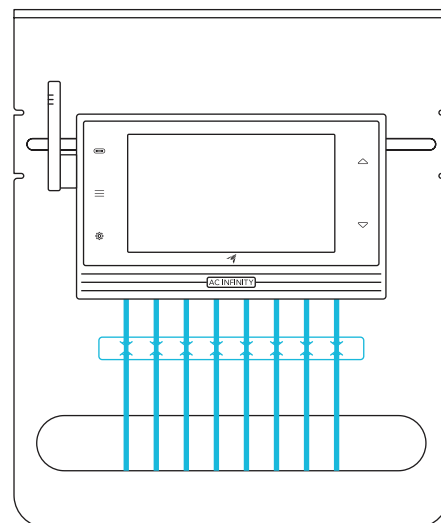
Screw the bolts into the slot or mounting holes at the upper half of the plate.

Hang the controller by the bolts using the holes on the backside.



CORD ARRANGEMENT

Cords may be routed through the included cable dock, which has an adhesive backing for mounting on any surface.



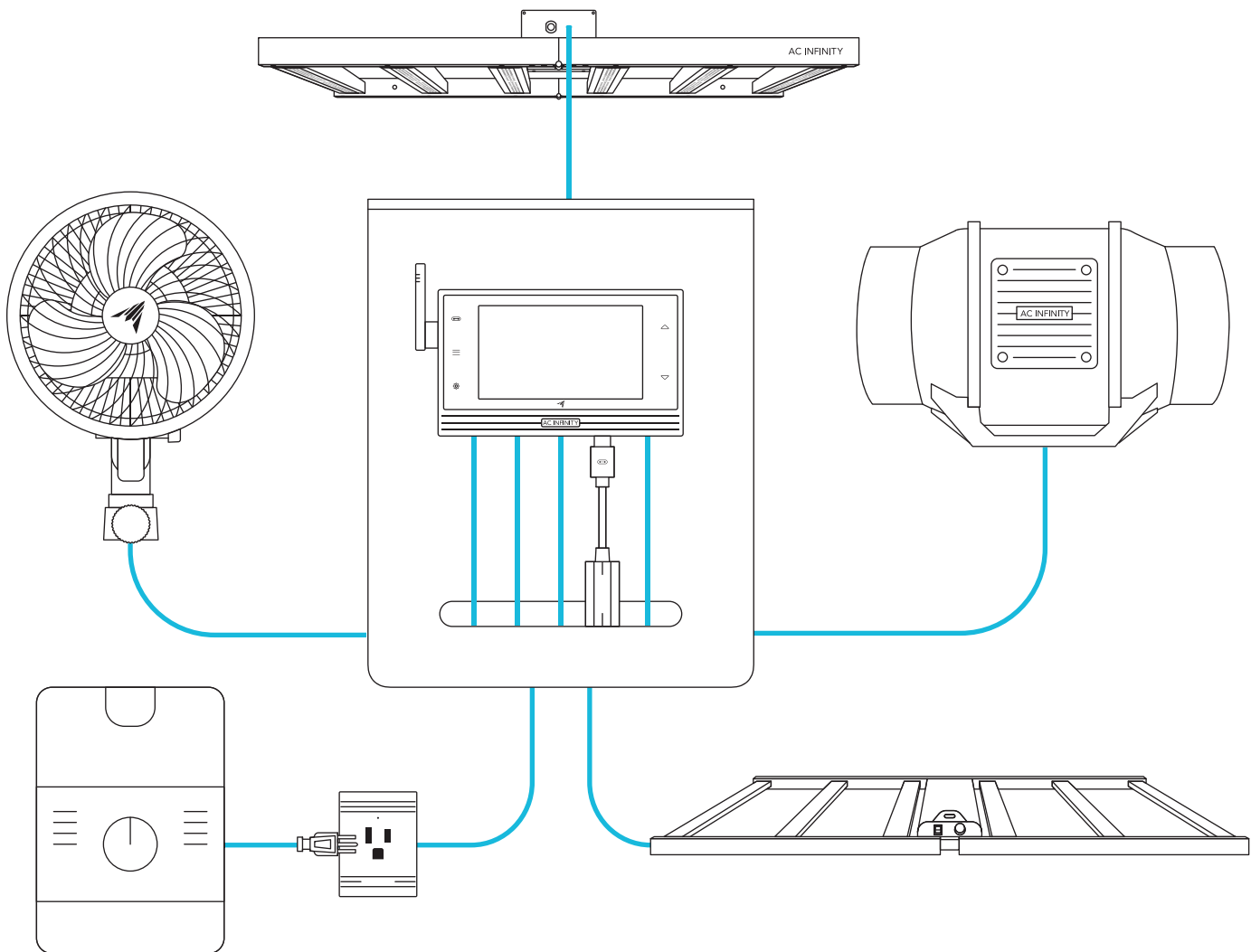
CONTROLLER AI+

UIS™ PLATFORM

The UIS™ platform enables you to connect a single central controller with several grow devices simultaneously. By creating this fully integrated system, you can power and program all your devices together or separately for optimized grow tent management.

Your grow system can be regulated using your controller hub or remotely on the AC Infinity app (paired with compatible controllers), where you will have access to automation programming and climate data.

You can also connect your favorite grow light and outlet device to integrate them into the UIS platform using our RJ11/12 adapter and control plug module.



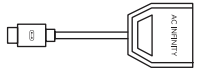
Grow devices will be sold separately and may still be in development at the time of your purchase of this product.

CONTROLLER AI+

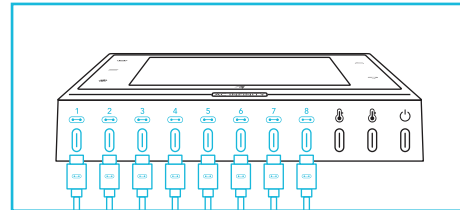
UIS™ COMPATIBILITY

MOLEX ADAPTER*

Use a Molex adapter to plug inline fans with 4-pin Molex connectors into this controller. Plug your fan's Molex connector into the adapter. Then plug the adapter into the controller.

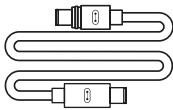


UIS M - 4PIN F
ADAPTER

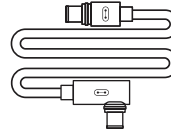


CONTROLLER CORD

Use male-to-male UIS controller cords to connect devices with female UIS ports at an extended range from your controller.



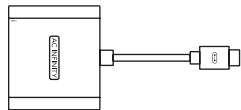
UIS M - M
CONTROLLER CORD
(BOX D)



L-SHAPED UIS M - M
CONTROLLER CORD
(BOX E)

4-PORT SPLITTER*

The expansion dongle will allow you to connect 4 devices with a single port and can support additional splitters to create up to three tiers of expansion ports. Intended for exclusive use with AC Infinity controllers built with UIS ports.



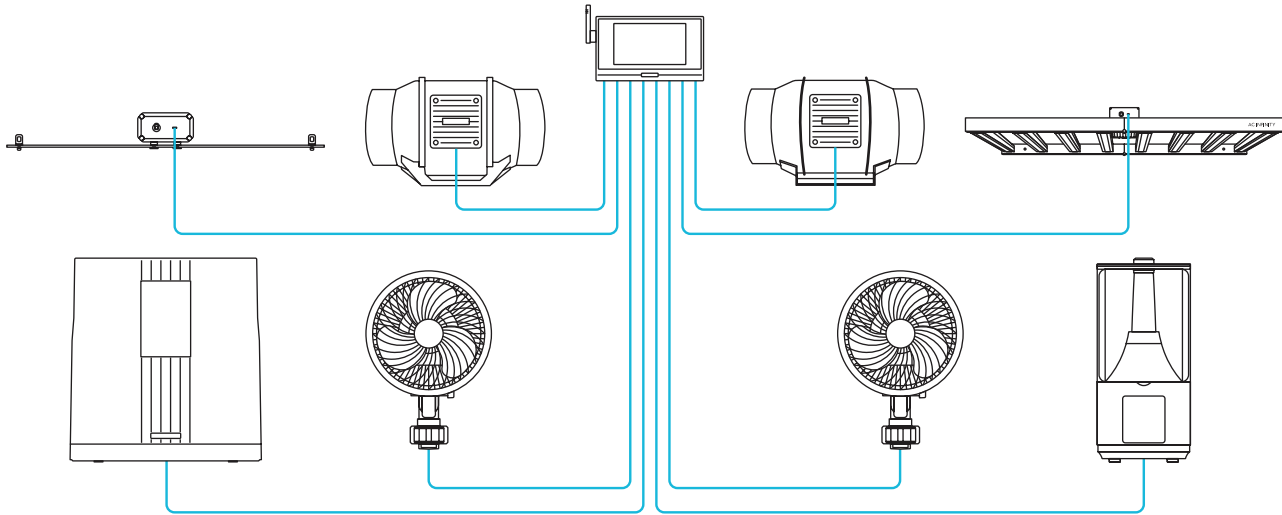
UIS M - M
4-PORT SPLITTER

*Not included

CONTROLLER AI+

ADDING MORE DEVICES

The CONTROLLER AI+ is built with eight ports that enable you to power and control multiple devices at the same time (select products not included). See image below for a sample configuration.

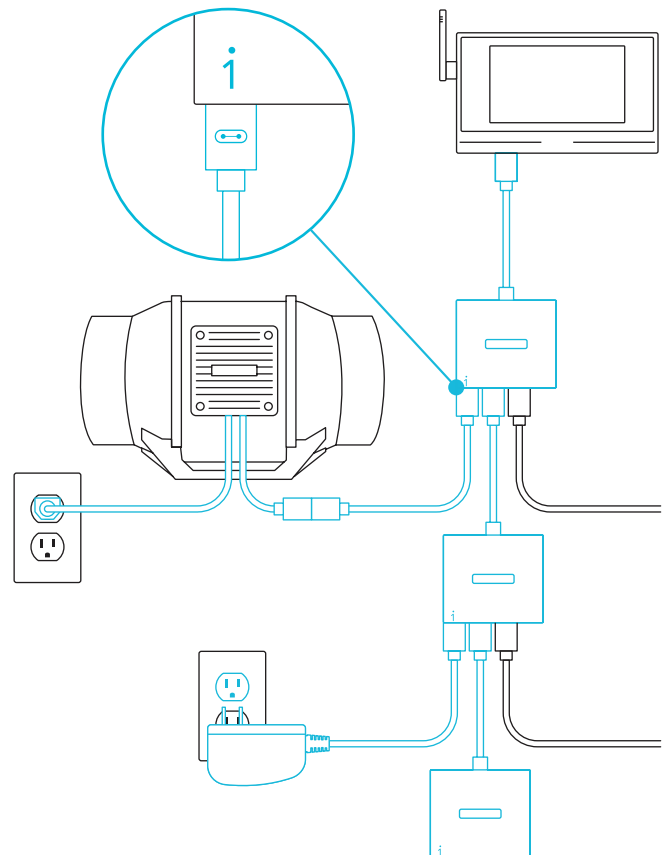


EXTENDING THE CHAIN

Plug the male end of the splitter* into your UIS controller. Connect a UIS device or power adapter to the first port of each tier to power your controller and the hub.

Ports 2-4 can connect to additional splitters or UIS devices. All devices plugged into this chain must be of the same type (ex. grow lights of any size) regardless of the length of the dongle chain.

This splitter is not compatible with UIS adapters such as the RJ11 Lighting Adapter.



*Not included

CONTROLLER AI+

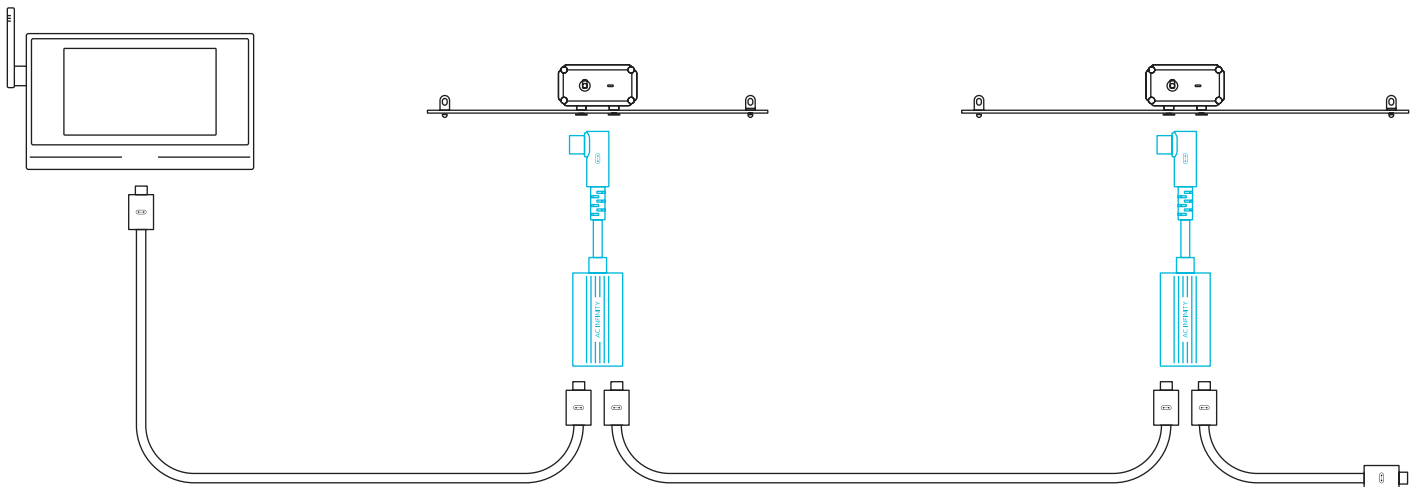
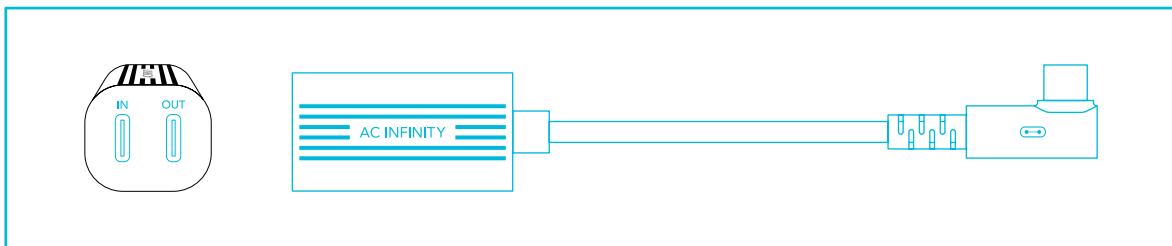
ADDING MORE DEVICES

DAISY-CHAINING

Each of the included controller's ports can support up to 20 devices using a daisy-chain adapter (not included). All devices must be from the same series but can be of differing sizes.

Plug the male end of the daisy-chain adapter into your device.

Connect your UIS controller to the daisy-chain adapter's INPUT port using a M-M connector cord. Using an extension cord, attach the daisy-chain adapter's OUTPUT port to another adapter's INPUT port. You can also link the OUTPUT port to another UIS device to end the chain.



CONTROLLER AI+

PROGRAMMING



CONTROLLER AI+

For in-depth programming instructions, refer to the included CONTROLLER AI+ Quick Start Guide. The following resources are also available for further assistance.



WEBPAGE OVERVIEW

Read through this instruction guide to easily explore all that your controller has to offer.

CONTROLLER AI+

DOWNLOAD THE APP

THE AC INFINITY APP

The AC Infinity app enables you to connect with the next generation of our intelligent controllers, giving you access to advance programs and environmental data.

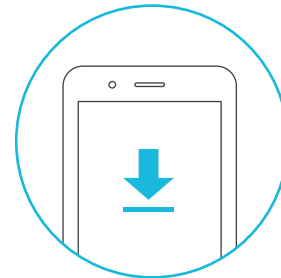
1

Download the AC Infinity app from the App Store or Play Store by searching “AC Infinity”.



2

Open the AC Infinity app and follow the instructions in the following section to pair your controller with the app.



QUICK TIP FOR EASY ACCESS

Open the smart phone camera and scan the QR code below to download the AC Infinity app. Please visit our website at www.acinfinity.com for more information on the AC Infinity app.



Please note: The AC Infinity App’s appearance and features are subject to change, and please refer to our website/QR for the latest instructions.

CONTROLLER AI+

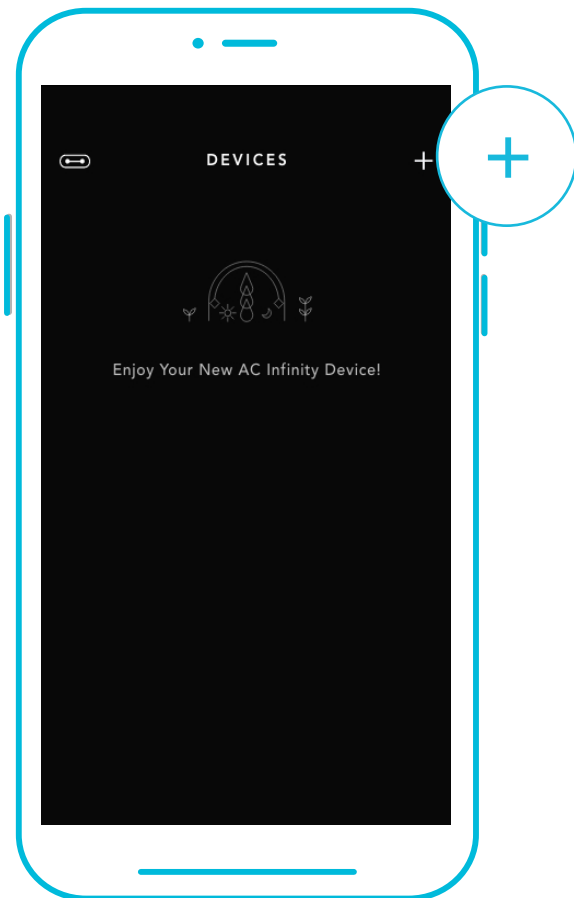
ADD A DEVICE: BLUETOOTH

SETUP AND PAIRING

Power your device on before pairing your controller with the app. Logging in or creating an account beforehand will expedite the pairing process. Have your Wi-Fi network's name and password ready.

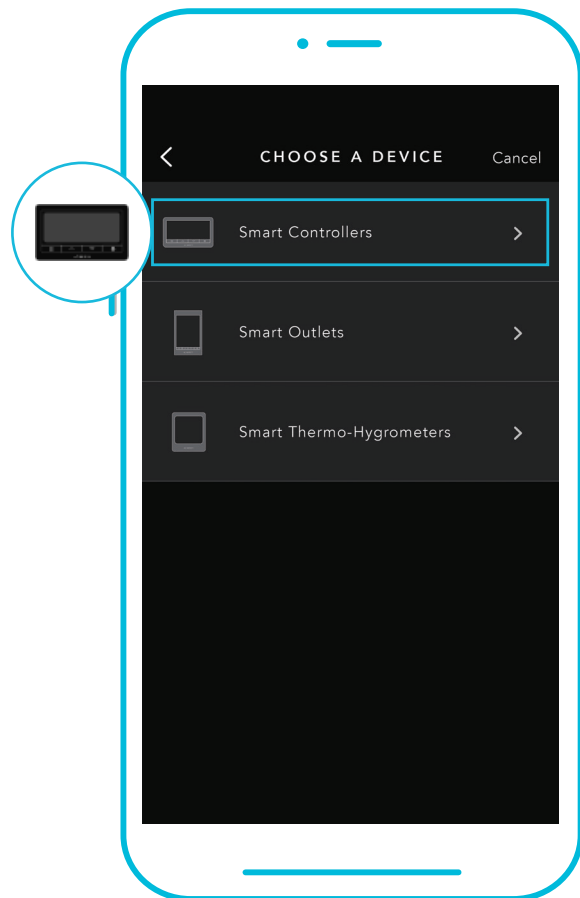
1

Tap on the “+” tab to add your smart device.



2

Tap on the “Smart Controllers” tab.



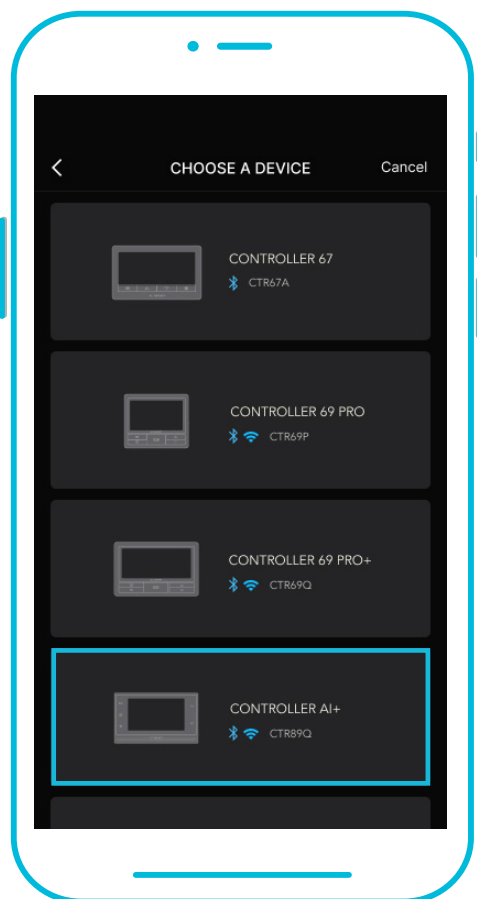
Please note: Bluetooth must be enabled on your mobile device before starting the pairing process.

CONTROLLER AI+

ADD A DEVICE: BLUETOOTH

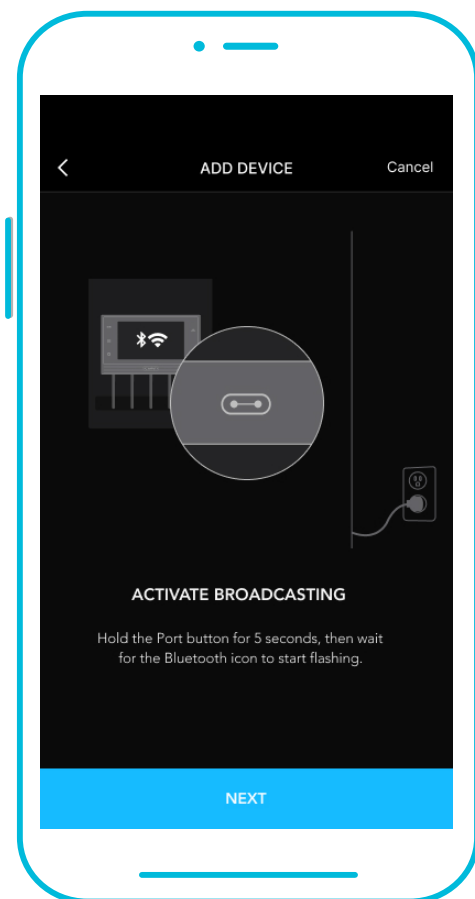
3

Select CONTROLLER AI+.



4

Hold the port button for 5 seconds to activate Bluetooth. Wait for the Bluetooth icon to start flashing on your controller's screen.

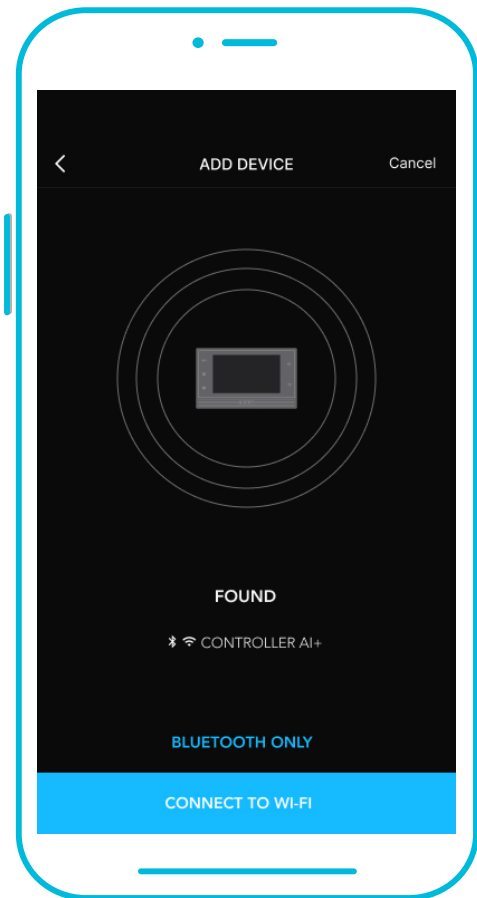


CONTROLLER AI+

ADD A DEVICE: BLUETOOTH

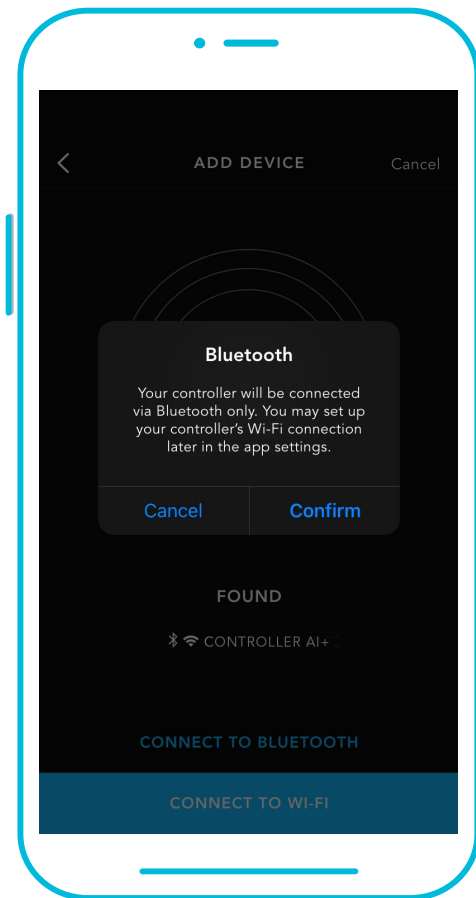
5

Connect using Bluetooth. To connect using Wi-Fi, skip to step 8.



6

Connecting with Bluetooth will disable Wi-Fi functionality. Go to the app settings page to re-enable and connect using Wi-Fi.



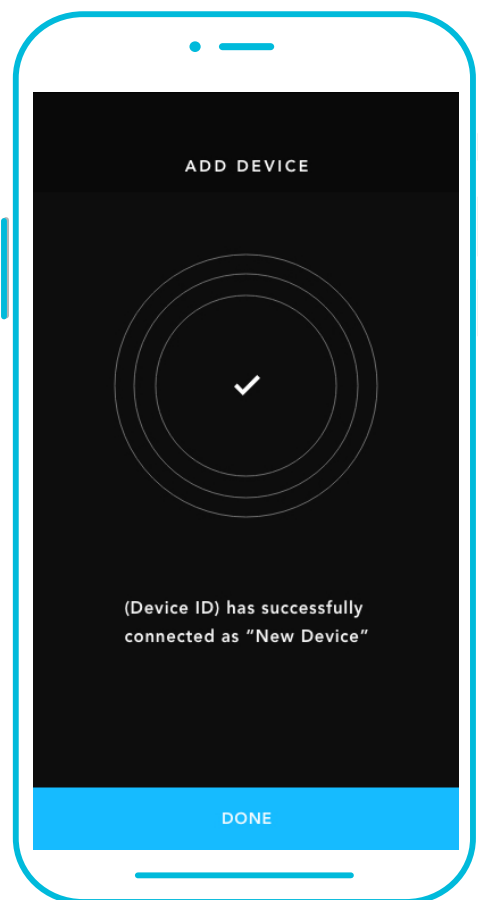
When pairing the app around multiple controllers, move your mobile device closer to your desired controller.

CONTROLLER AI+

ADD A DEVICE: BLUETOOTH

7

Tap the DONE button to complete the pairing process.

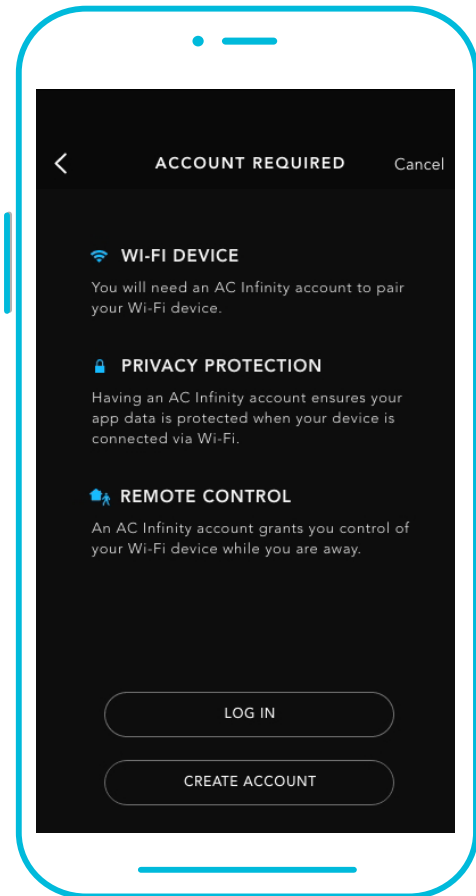


CONTROLLER AI+

ADD A DEVICE: WI-FI

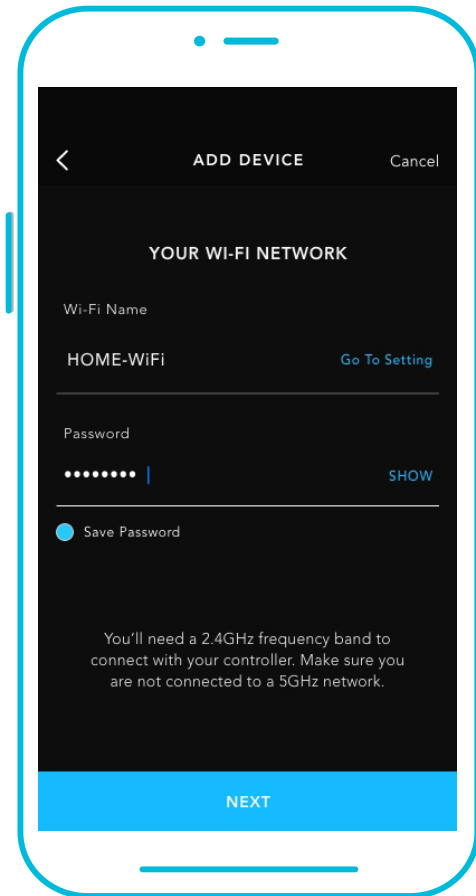
8

Repeat steps 1-5. Log in or create an account to continue.



9

Enter your Wi-Fi network's password. You may also connect to an alternate 2.4 GHz router*.



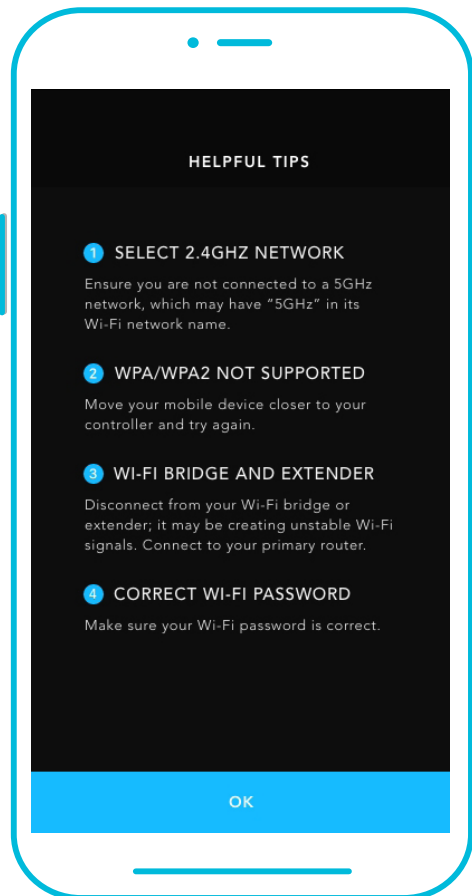
When pairing the app around multiple controllers, move your mobile device closer to your desired controller.

CONTROLLER AI+

ADD A DEVICE: WI-FI

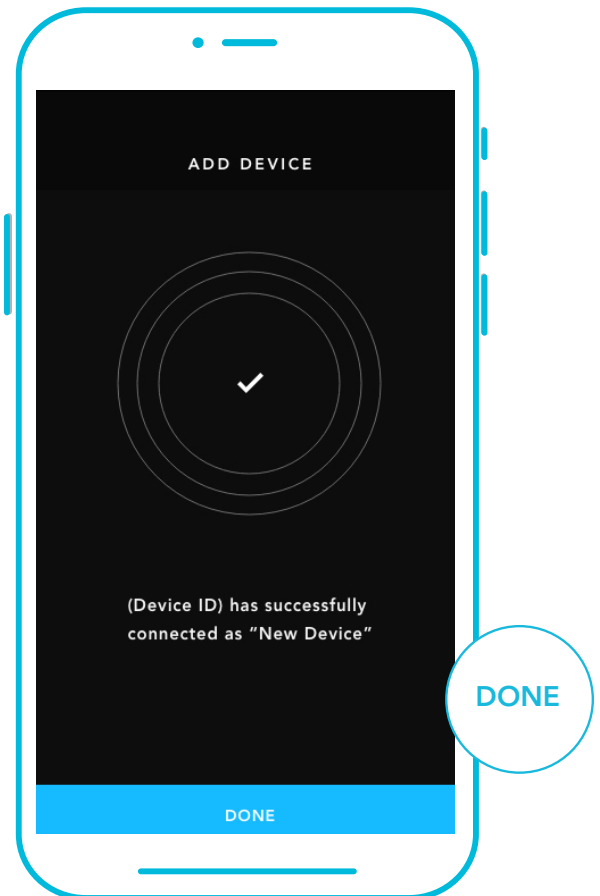
10

Follow these tips if the pairing process is unsuccessful.



11

Tap the DONE button to complete the pairing process.



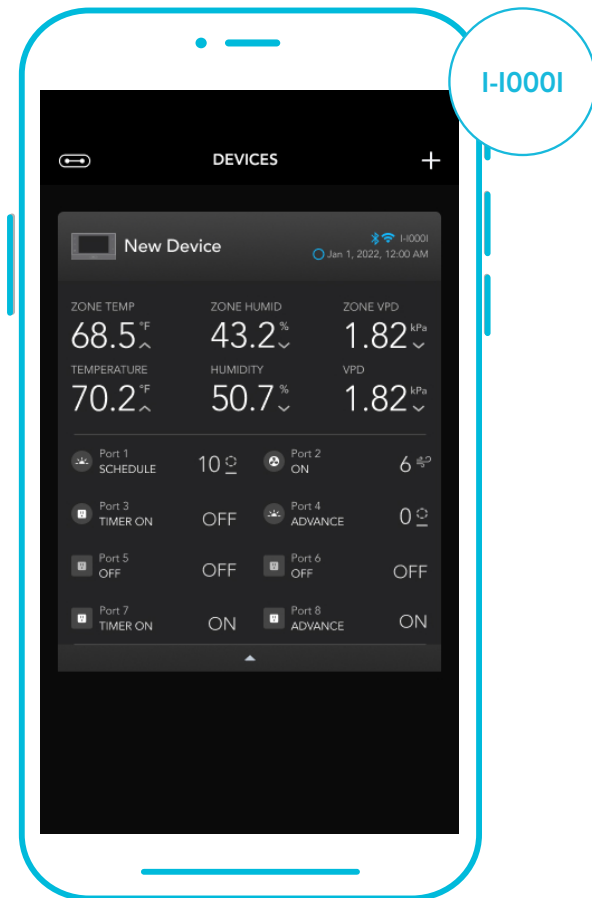
*This controller is only compatible with 2.4 GHz frequency band routers. When connecting using Wi-Fi, make sure your mobile device is not connected to a 5 GHz frequency band network.

CONTROLLER AI+

ADD A DEVICE: WI-FI

12

Your controller will appear in your smart device with a unique ID.



CONTROLLER AI+

FREQUENTLY ASKED QUESTIONS

Q: What devices are compatible with the CONTROLLER AI+?

A: All AC Infinity devices that contain a UIS connector are compatible. If your AC Infinity device has a 4-pin Molex connector and an EC-Motor, it may still be compatible with the use of an UIS adapter to convert its connector to fit with the controller.

Q: Where is the best place to position the sensor probe?

A: Place the sensor probe as close as possible to the hottest or most humid spot in your space.

Q: Do I need to remove the plastic cap from the probe?

A: Yes. You will need to remove the plastic cap so the probe can accurately read climate conditions.

Q: Can I connect different sized fans to the same controller?

A: Please refer to the Adding More Devices section for details on adding more fan units.

Q: Will I be able to use this controller with my own devices?

A: CONTROLLER AI+ is only compatible with devices in the UIS platform. Look for our logo on your AC Infinity device's packaging for UIS compatibility.

CONTROLLER AI+

FREQUENTLY ASKED QUESTIONS

Q: Does the controller retain its settings after power is shut off?

A: Yes. If the controller's power is cut off and is powered on afterward, your settings will remain.

Q: My controller isn't pairing with the app. How do I fix this?

A: If the pairing process isn't successful, press any button to return to the normal screen. Then hold the port button for 5 seconds to try again. When starting the pairing process around multiple Wi-Fi controllers, move your smart device closer to the controller you wish to connect the app with.

Q: Why does the app ask me for location permissions?

A: The app requires location permissions to find the relative position of your smart controller and communicate with existing Bluetooth devices already paired with the app. All Android devices prior to system version 12.0 will require location permissions to be turned on for the Bluetooth scan to be successful.

Q: Why do the port's level digits on the screen occasionally flash when I unplug a device?

A: The controller may have received electronic interference during the disconnection. To fix this, completely cut off power from the controller by unplugging all connected devices. Then plug them back into their previous ports and resume normal use.



PROGRAMMING FAQs

If you have any programming questions, visit our website for in-depth explanations and instructions.

WARRANTY

This warranty program is our commitment to you, the product sold by AC Infinity will be free from defects in manufacturing for a period of two years from the date of purchase. Commercial grow lights sold by AC Infinity receive a five year warranty period. If a product is found to have a defect in material or workmanship, we will take the appropriate actions defined in this warranty to resolve any issues.

The warranty program applies to any order, purchase, receipt, or use of any products sold by AC Infinity or our authorized dealerships. The program covers products that have become defective, malfunctioned, or expressively if the product becomes unusable. The warranty program goes into effect on the date of purchase. The program will expire two years from the date of purchase (five years from the date of purchase of commercial grow lights). If your product becomes defective during that period, AC Infinity will replace your product with a new one or issue you a full refund.

The warranty program does not cover abuse or misuse. This includes physical damage, submersion of the product in water, incorrect Installation such as wrong voltage input, and misuse for any reason other than intended purposes. AC Infinity is not responsible for consequential loss or incidental damages of any nature caused by the product. We will not warrant damage from normal wear such as scratches and dings.

Contact our dealers department at dealers@acinfinity.com or **(626) 838-4656** for more information about our dealers and distributors program. Contact our customer service department at support@acinfinity.com or **(626) 923-6399** for product and warranty assistance. Our business hours are Monday through Friday, 9:00 am to 5:00 pm PST.



If you run into any issues with this product, contact us and we'll happily issue a replacement or a full refund!

COPYRIGHT © 2025 AC INFINITY INC. ALL RIGHTS RESERVED

No part of the materials including graphics or logos available in this booklet may be copied, photocopied, reproduced, translated or reduced to any electronic medium or machine readable form, in whole or in part, without specific permission from AC Infinity Inc.

www.acinfinity.com